

OIML test certificate no. D09-10.23  
 OIML C of C no. R60/2000-DE1-10.11  
 NTEP certificate no. 12-006

Capacity	Accuracy	Part-Number
50kg	C3/C4	L6T-CX-50kg-3B6
75kg	C3/C4	L6T-CX-75kg-3B6
100kg	C3/C4	L6T-CX-100kg-3B6
150kg	C3/C4	L6T-CX-150kg-3B6
200kg	C3/C4	L6T-CX-200kg-3B6
250kg	C3/C4	L6T-CX-250kg-3B6
300kg	C3	L6T-C3-300kg-3B6
500kg	C3	L6T-C3-500kg-3B6
635kg	C3	L6T-C3-635kg-3B6
1000kg	C3	L6T-C3-1000kg-3B6

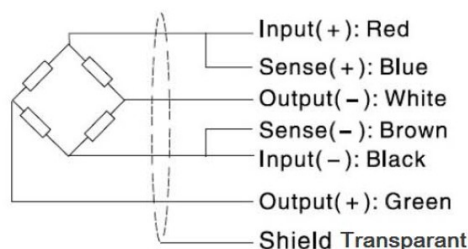
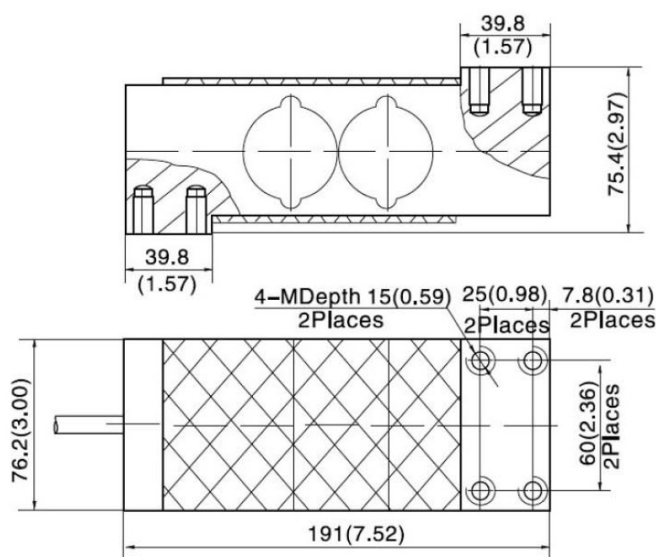
RoHS

- Aluminium-Alloy IP65 single point load cell
- Colourless anodized
- Suitable for single or double load cell structured platform scales
- Maximum platform size: 800 x 800 mm

### Specifications:

Accuracy class		C4		C3	
		2.0 ± 0.2			
Output sensitivity ( = FS )	mV/V				
Maximum capacity ( E <sub>max</sub> )	kg	50, 75, 100, 150, 200, 250	50, 75, 100, 150, 200, 250	300, 500, 635, 1000	
	lb	100, 150, 200, 300, 400, 500	100, 150, 200, 300, 400, 500	600, 1000, 1250, 2000	
Maximum number of load cell intervals ( n <sub>LC</sub> )		4000	3000		
Ratio of minimum LC verification interval Y = E <sub>max</sub> / V <sub>min</sub>		6500	6500	15000	
Combined Error	%FS	≤ ± 0.017		≤ ± 0.023	
Safe overload	of E <sub>max</sub>	150 %			
Ultimate overload	of E <sub>max</sub>	300 %			
Zero balance	of FS	≤ ± 2.0 %			
Excitation, recommended voltage	V	5 ~ 12			
Excitation maximum	V	18			
Terminal resistance, input	Ω	409 ± 6			
Terminal resistance, output	Ω	350 ± 3			
Insulation impedance	MΩ	≥ 5000 ( at 50VDC )			
Temperature range, compensated	°C	-10 ~ +40			
Temperature range, operating	°C	-20 ~ +50			
Element material		Aluminium			
Ingress Protection (according to EN 60529)		IP65			
Recommended torque on fixation bolts	Nm	M8 (50-500kg): 20		M8 (635-1000kg): 25	
Corner correction		0.02% load value / 100 mm			

### Outline Dimensions in mm (Inch)



• Dimensions and specifications are subject to change without notice.

#### Wiring:

- Adopt a shielded, 6 conductor cable, and cable jacket is PVC.
- Cable length: 3.0 ± 0.1m.
- Cable diameter: 5.0 ± 0.2mm.
- Shield not connected to element.

	Metric	Imperial
M	M8	5/16-18UNC