

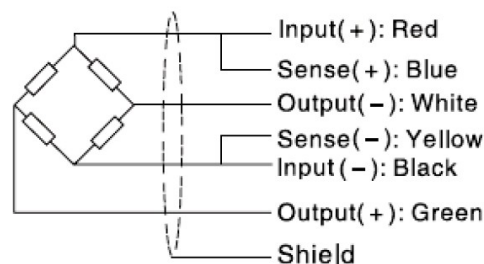
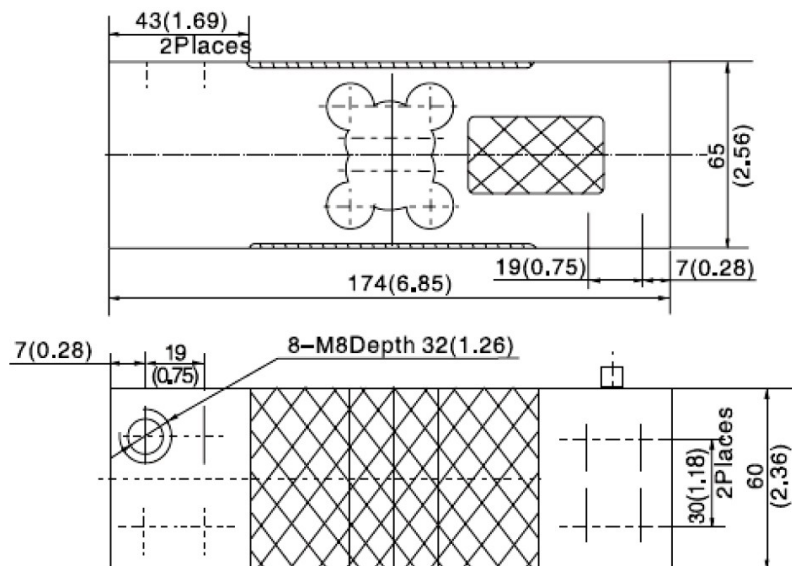
Capacity	Accuracy	Part-Number
50 kg	C3	L6G-C3-50kg-3G6 (-R1)
100 kg	C3	L6G-C3-100kg-3G6 (-R1)
150 kg	C3 & C4	L6G-C4-150kg-3G6 (-R1)
200 kg	C3 & C4	L6G-C4-200kg-3G6 (-R1)
250 kg	C3 & C4	L6G-C4-250kg-3G6 (-R1)
300 kg	C3 & C4	L6G-C4-300kg-3G6 (-R1)
500 kg	C3 & C4	L6G-C4-500kg-3G6 (-R1)
600 kg	C3 & C4	L6G-C4-600kg-3G6 (-R1)

**Specification:**

		OIML R60 C3		OIML R60 C4	
				2.0 ± 0.2	
Accuracy class					
Output sensitivity ( = FS )	mV/V			2.0 ± 0.2	
Maximum capacity ( E <sub>max</sub> )	kg	50, 100, 150, 200, 250, 300, 500, 600		150, 200, 250, 300, 500, 600	
Maximum number of load cell intervals ( n <sub>LC</sub> )		3000		4000	
Ratio of minimum LC verification interval Y = E <sub>max</sub> / V <sub>min</sub>		12000		15000	
Combined Error	%FS	≤ ± 0.0200		≤ ± 0.0170	
Minimum dead load	kg	0		0	
Safe overload	of E <sub>max</sub>	150 %		150 %	
Ultimate overload	of E <sub>max</sub>	300 %		300 %	
Zero balance	of FS	≤ ± 2.0 %		≤ ± 2.0 %	
Excitation, recommended voltage	V	5 ~ 12		5 ~ 12	
Excitation maximum	V	18		18	
Terminal resistance, input	Ω	409 ± 6 / 1065 ± 15 <sup>1</sup>		409 ± 6	
Terminal resistance, output	Ω	350 ± 3 / 1000 ± 5 <sup>1</sup>		350 ± 3	
Insulation impedance	MΩ	≥ 5000 ( at 50VDC )		≥ 5000 ( at 50VDC )	
Temperature range, compensated	°C	-10 ~ +40		-10 ~ +40	
Temperature range, operating	°C	-35 ~ +65		-35 ~ +65	
Element material		Aluminium		Aluminium	
Recommended torque on fixation bolts	Nm	20		20	
Ingress Protection (according to EN 60529)		IP65		IP65	

Note: 1 1000 Ohm types (designated as R1), has no OIML approval

**Outline Dimensions in mm**



• Dimensions and specifications are subject to change without notice.

**Wiring:**

- Adopt a shielded, 6 conductor cable, and cable jacket is PVC.
- Cable length: 3.0 ± 0.1m.
- Cable diameter: 6.0 ± 0.2mm.
- The shield is connected to the element.