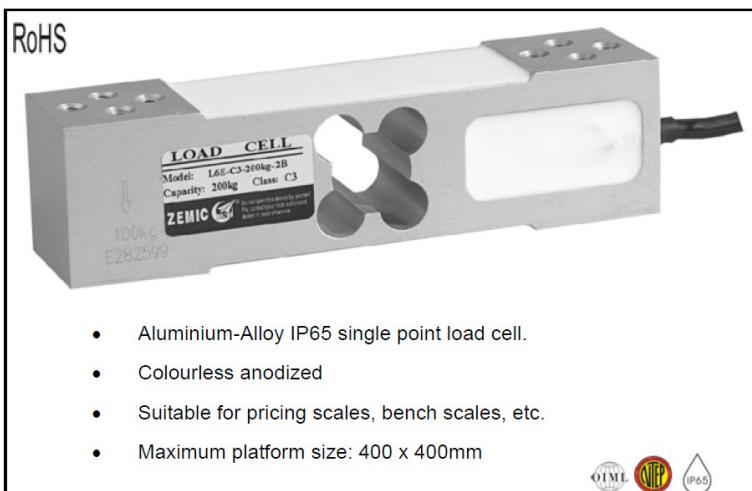


OIML test certificate no. TC7838 Revision 0  
 OIML C of C no. R60/2000-NL1-10.22  
 NTEP certificate no. 11-062



- Aluminium-Alloy IP65 single point load cell.
- Colourless anodized
- Suitable for pricing scales, bench scales, etc.
- Maximum platform size: 400 x 400mm

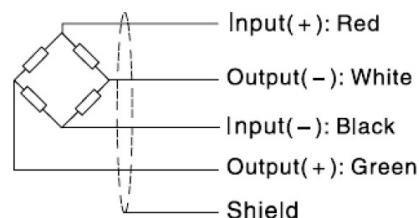
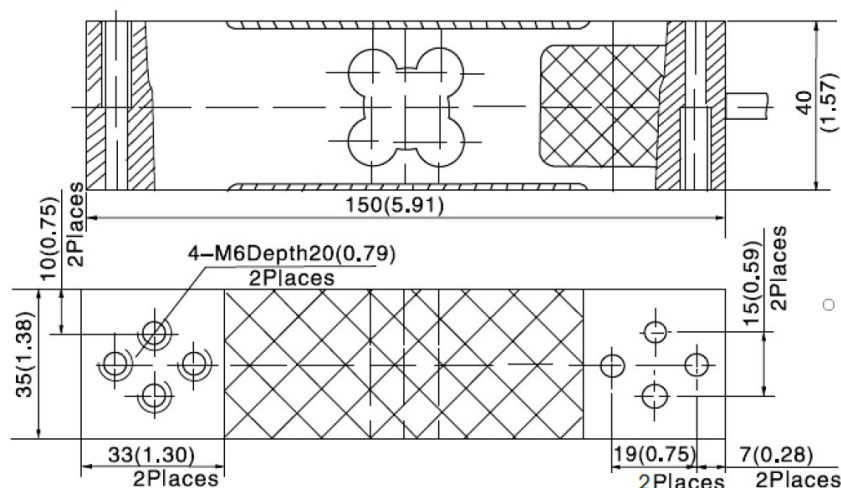


Capacity	Accuracy	Part-Number
50 kg	Cx	L6E-Cx-50kg-2B
60 kg	Cx	L6E-Cx-60kg-2B
80 kg	Cx	L6E-Cx-80kg-2B
100 kg	Cx	L6E-Cx-100kg-2B
150 kg	Cx	L6E-Cx-150kg-2B
200 kg	Cx	L6E-Cx-200kg-2B
300 kg	Cx	L6E-Cx-300kg-2B

### Specification:

Accuracy class		OIML R60 C3		OIML R60 C4		OIML R60 C5	
		2.0 ± 0.2					
Output sensitivity ( = FS )	mV/V	50, 60,	150,	50, 60,	150,	50, 60,	150,
Maximum capacity (E <sub>max</sub> )	kg	80,	200,	80,	200,	80,	200,
		100,	300	100,	300	100,	300
Maximum number of load cell intervals (n <sub>LC</sub> )		3000		4000		5000	
Ratio of minimum LC verification interval $Y = E_{max} / V_{min}$	Y	10000		15000		20000	
Ratio of minimum dead load output return $Z = E_{max} / 2 \cdot DR$	Z	4200	3300	5600	4400	7000	5500
Combined Error	%FS	≤ ± 0.0230		≤ ± 0.0175		≤ ± 0.0140	
Minimum dead load	kg	0					
Safe overload	of E <sub>max</sub>	150 %					
Ultimate overload	of E <sub>max</sub>	300 %					
Zero balance	of FS	≤ ± 2.0 %					
Excitation, recommended voltage	V	5 ~ 12					
Excitation maximum	V	18					
Terminal resistance, input	Ω	406 ± 6					
Terminal resistance, output	Ω	350 ± 3					
Insulation resistance	MΩ	≥ 5000 ( at 50VDC )					
Temperature range, compensated	°C	-10 ~ +40					
Temperature range, operating	°C	-35 ~ +65					
Element material		Aluminium					
Corner correction		≤ ± 0.02%Load value/100mm					
Recommended torque on fixation bolts	Nm	10					
Ingress Protection (according to EN 60529)		IP65					

### Outline Dimensions in mm (inch)



• Dimensions and specifications are subject to change without notice.

#### Wiring:

- Adopt a shielded, 4 conductor cable, and cable jacket is PVC.
- Cable length: 2 ± 0.1m
- Cable diameter: 5 ± 0.2mm.
- Shield not connected to element.
- Different cable lengths are available on customer request