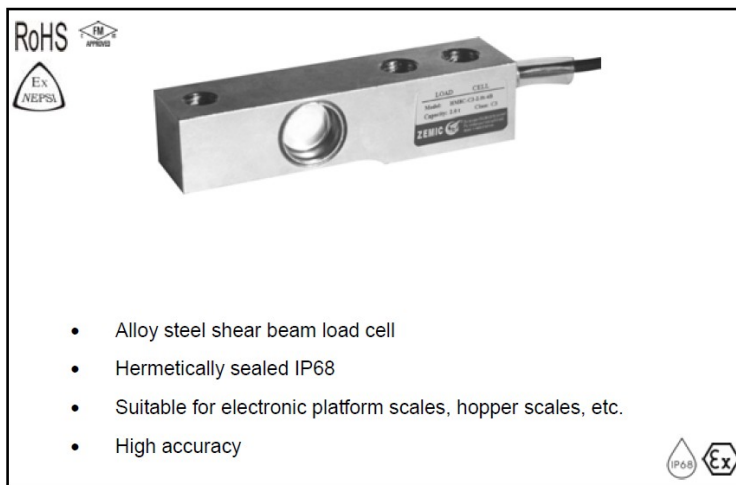


Datasheet: HM8C load cell



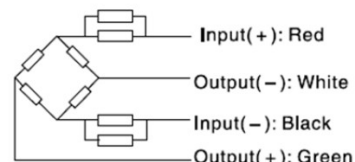
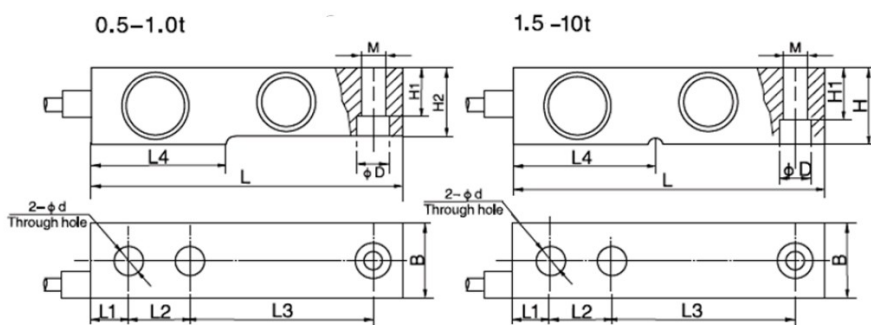
Capacity	Accuracy	Part-Number
500 kg	C3	HM8C-C3-500kg-4B
1 t	C3	HM8C-C3-1t-4B
1.5 t	C3	HM8C-C3-1.5t-4B
2 t	C3	HM8C-C3-2t-4B
3 t	C3	HM8C-C3-3t-6B
5 t	C3	HM8C-C3-5t-6B
10 t	C3	HM8C-C3-10t-6B

- Alloy steel shear beam load cell
- Hermetically sealed IP68
- Suitable for electronic platform scales, hopper scales, etc.
- High accuracy

Specification:

Accuracy class		C3
Output sensitivity ( = FS )	mV/V	2.0 ± 0.004
Maximum capacity ( E <sub>max</sub> )	t	0.5, 1, 1.5, 2, 3, 5, 10
Maximum number of load cell intervals ( n <sub>LC</sub> )		3000
Ratio of minimum LC verification interval Y = E <sub>max</sub> / v <sub>min</sub>		7500
Combined Error	%FS	≤ ± 0.020
Safe overload	of E <sub>max</sub>	150 %
Ultimate overload	of E <sub>max</sub>	300 %
Zero balance	of FS	≤ ± 1.5 %
Excitation, recommended voltage	V	5 ~ 12
Excitation maximum	V	18
Terminal resistance, input	Ω	350 ± 3.5
Terminal resistance, output	Ω	351 ± 2.0
Insulation impedance	MΩ	≥ 5000 ( at 50VDC )
Temperature range, compensated	°C	-10 ~ +40
Temperature range, operating	°C	-35 ~ +65
Element material		Alloy steel
Ingress Protection (according to EN 60529)		IP68
Recommended torque on fixation bolts	Nm	M12:100 M18:200 M24:700
ATEX classification (optional)		II1G Ex ia II1C T4 II1D Ex iaD 20 T73°C II3G nL IIC T4

Outline Dimensions in mm



Wiring:

- Shielded, 4 conductor cable.
- Standard cable length: 4m(0.5~2t), 6m(3~10t).
- Cable type and cable length for customer's own application are available on request.
- Shield not connected to element.

Dimension / Capacity	L	L1	L2	L3	L4	H	H1	H2	B	ØD	Ød	M
0.5t	130	15.8	25.4	76.2	53.7	31.8	15.8	26	31.8	13.5	13.5	M12
1t	130	15.8	25.4	76.2	53.7	31.8	15.8	28	31.8	13.5	13.5	M12
1.5 - 2t	130	15.8	25.4	76.2	54.2	31.8	15.8	--	31.8	13.5	13.5	M12
3 - 5t	171.5	19.1	38.1	95.3	77.2	38.1	18.8	--	38.1	19.8	19.8	M18 x 1,5
10t	222.3	25.4	50.8	120.3	101.6	50.8	25.4	--	50.8	26	26	M24 x 2