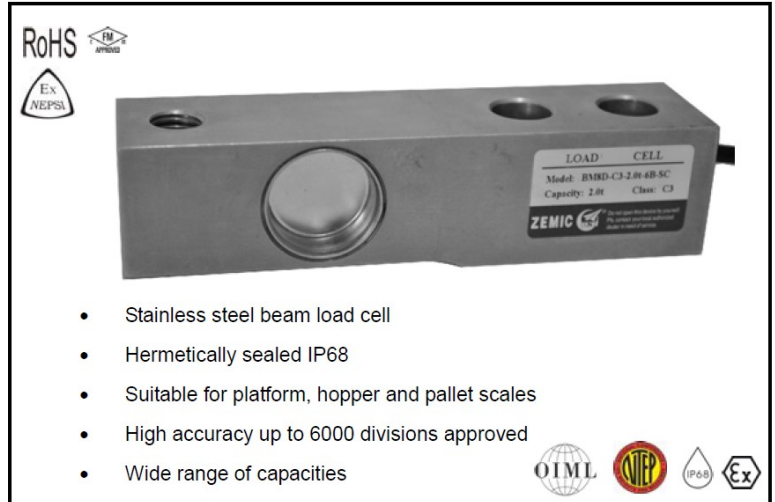


Datasheet: BM8D load cell

OIML test certificate no. TC7869 Revision 2
 OIML C of C no. R60/2000-NL1-12.11
 NTEP certificate no. CC 10-056A1

| Capacity | Accuracy | Part-Number |
|---------------------|----------|---------------------|
| 150 kg ¹ | C3 | BM8D-C3-150kg-6B-G1 |
| 300 kg ¹ | C3 | BM8D-C3-300kg-6B-G1 |
| 500 kg | Cx | BM8D-Cx-500kg-6B |
| 1 t | Cx | BM8D-Cx-1t-6B-SC |
| 1.5 t | Cx | BM8D-Cx-1.5t-6B |
| 2 t | Cx | BM8D-Cx-2t-6B-SC |
| 2.5 t | Cx | BM8D-Cx-2.5t-6B |
| 3 t | Cx | BM8D-Cx-3t-6B |
| 5 t | Cx | BM8D-Cx-5t-6B |
| 7.5 t | Cx | BM8D-Cx-7.5t-6B |
| 10 t | Cx | BM8D-Cx-10t-6B |



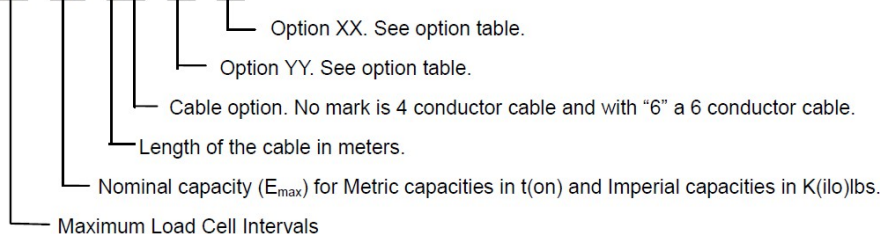
Specification:

| Accuracy class | | OIML R60 C3 | OIML R60 C4 | OIML R60 C5 | OIML R60 C6 |
|---|---------------------|---|----------------------|----------------|---------------------|
| Maximum capacity (E _{max}) | t | 0.15 ¹ , 0.3 ¹ , 0.5, 1, 1.5, 2, 2.5, 3, 5, 7.5, 10 | | | 0.5, 1, 1.5, 2, 2.5 |
| Output sensitivity (= FS) | mV/V ² | 2.0 ± 0.04 / 3.0 ± 0.08 | | | |
| Current calibration | SC | See option table | | | |
| Maximum number of load cell intervals (n _{LC}) | n _{max} | 3000 | 4000 | 5000 | 6000 |
| Ratio of minimum LC verification interval Y = E _{max} / V _{min} | Y | 10000 | 15000 | 20000 | 20000 |
| Measuring principle | | Bending till 0.3t | | Shear | |
| Combined Error | %FS | ≤ ± 0.0230 | ≤ ± 0.0175 | ≤ ± 0.0140 | ≤ ± 0.0116 |
| Safe overload | of E _{max} | 150 % | | | |
| Ultimate overload | of E _{max} | 300 % | | | |
| Zero balance | of FS | ≤ ± 1.0 % | | | |
| Excitation, recommended voltage | V | 5 ~ 12 | | | |
| Excitation maximum | V | 18 | | | |
| Terminal resistance, input | Ω | 350 ± 3.5 | | | |
| Terminal resistance, output | Ω | 350 ± 3.5 | | | |
| Insulation impedance | MΩ | ≥ 5000 (at 50VDC) | | | |
| Temperature range, compensated | °C | -10 ~ +40 | | | |
| Temperature range, operating | °C | -35 ~ +65 | | | |
| Element material | | Stainless steel | | | |
| Recommended torque on fixation bolts | Nm | M12:100 M20:250 M24:700 | | | |
| Ingress Protection (according to EN 60529) | | IP68 | | | |
| ATEX classification (optional) | | II1G Ex ia IIC T4 | II1D Ex iaD 20 T73°C | II3G nL IIC T4 | |

Note 1: OIML approval only for C3. Note 2: See option table for standard version and options

Ordering Info:

BM8D - CX - 1.0t - 6BX - YY - XX

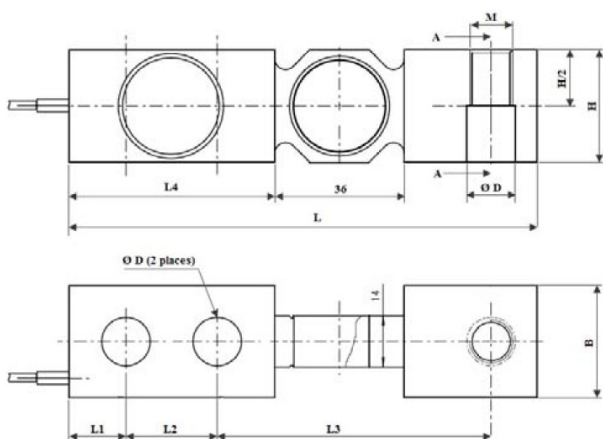


| Capacity | Options | YY | | XX | |
|----------|---------|---------------|---------------|---------------|---|
| | | G1 (2mV/V-SC) | SC (3mV/V-SC) | None (3mV/V) | W6 (T-end) |
| 0.15t | Option | Standard | Not available | Not Available | Option only in combination with G1 option |
| 0.3t | | | | | |
| 0.5t | | Option | Standard | | |
| 1t | | Standard | Option | | |
| 1.5t | | Option | Standard | | |
| 2t | | Standard | Option | | |
| 2.5t | | Option | Option | Standard | |
| 3t | | | | | |
| 5t | | | | | |
| 7.5t | | | | | |
| 10t | | | | Not Available | |

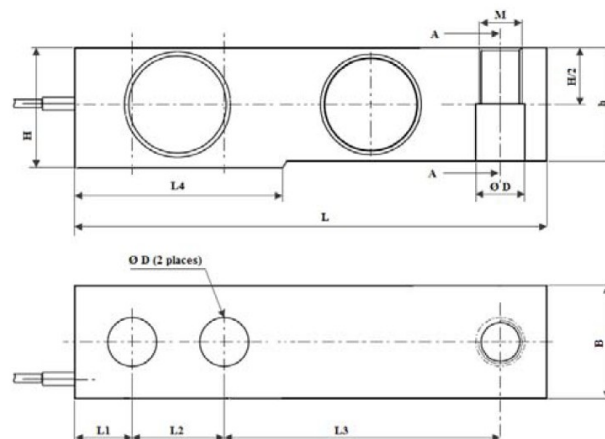
Datasheet: BM8D load cell

Outline Dimensions in mm

150kg – 300kg (Bending)

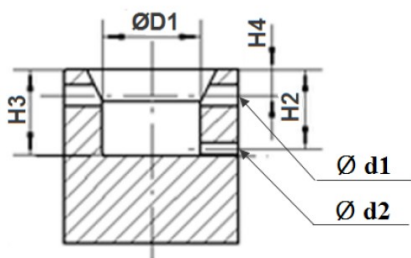


Other capacities (Shear)



| Dimension | L | L1 | L2 | L3 | L4 | B | H | h | ØD | M |
|--------------|-----|------|------|-------|-------|------|------|------|------|------------|
| Capacity | | | | | | | | | | |
| 0.15t - 0.3t | 130 | 15.7 | 25.4 | 76.2 | 57.1 | 31.3 | 31.3 | 24.8 | 13.5 | M12 x 1,75 |
| 0.5t | | | | | | | | 26.0 | | |
| 1t | | | | | | | | 28.0 | | |
| 1.5t - 2t | | | | | | | | | | |
| 2.5t - 5t | 171 | 19 | 38.1 | 95.2 | 76.2 | 36.8 | 36.8 | 34.8 | 20.5 | M20 x 2,5 |
| 7.5t - 10t | 222 | 25.4 | 50.8 | 120.7 | 101.6 | 49.5 | 49.5 | 47.5 | 26.9 | M24 x 2 |

Option W6 Dimensions Loading Hole



Section A-A

| Dimension | ØD1 | Ød1 | Ød2 | H2 | H3 | H4 |
|--------------|-----|-----|-----|------|------|-----|
| Capacity | | | | | | |
| 0.15t - 0.3t | 18 | 4 | 2 | 14.5 | 15.8 | 4.8 |
| 0.5t | | | | | | |
| 1t | | | | | | |
| 1.5t - 2t | | | | 17.5 | 18.8 | |
| 2.5t - 5t | 25 | | | | | |

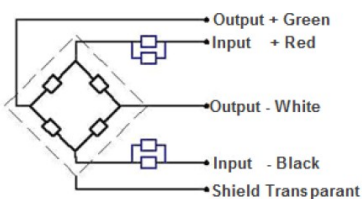
Standard cable is a shielded, 4 conductor cable: Ø 5mm.

Standard cable length: 6m.

Shield is not connected to the element.

Cable type and length can be changed on customer's request.

4-wire:



6-wire:

