

Datasheet: B8D load cell

OIML test certificate no. D09-05.19
 OIML C of C no. R60/2000-CN1-06.05
 OIML test certificate no. TC8010 rev 0
 OIML C of C no. R60/2000-NL1-11.28
 NTEP certificate no. 12-022



- Stainless steel IP67 beam load cell
- Suitable for floor scales, automobile test facilities, hopper scales, and other electronic weighing devices
- Metric and Imperial capacities and dimensions

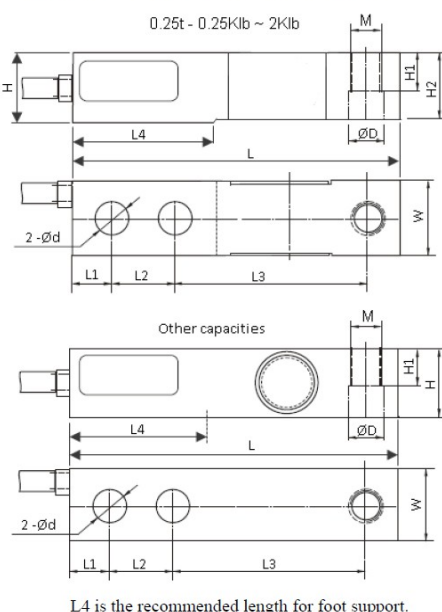
Capacity	Accuracy	Part-Number
250 kg ¹	C3 ¹	B8D-C3-250kg-6B-SC(-W6)
0.5 t	C3	B8D-C3-0.5t-6B-SC(-W6)
1 t	C3	B8D-C3-1t-6B-SC(-W6)
2 t	C3	B8D-C3-2t-6B-SC(-W6)
5 t	C3	B8D-C3-5t-6B-SC(-W6)

Specification:

Accuracy class	OIML R60 C3 ¹				N5
	Output sensitivity (= FS)	mV/V	3.0 ± 0.008		
Maximum capacity (E _{max})	t	0.25 ¹	0.5, 1, 2	5	250, 500, 750, 1k, 1.5k, 2k, 2.5k, 3k, 4k, 5kSE, 5k, 7.5k, 10k, 15k, 20k
	lbs				
Maximum number of load cell intervals (n _{LC})	3000				
Ratio of minimum LC verification interval Y = E _{max} / v _{min}		10000	7500	9000	Check certificate 12-022
Combined Error	%FS	≤ ± 0.0200			
Minimum dead load	kg	0			
Safe overload	of E _{max}	150 %			
Ultimate overload	of E _{max}	300 %			
Zero balance	of FS	< ± 1.0 %			
Excitation, recommended voltage	V	5 ~ 12			
Excitation maximum	V	18			
Terminal resistance, input	Ω	350 ± 3.5			
Terminal resistance, output	Ω	350 ± 3.5			
Insulation impedance	MΩ	≥ 5000 (at 50VDC)			
Temperature range, compensated	°C	-10 ~ +40			
Temperature range, operating	°C	-35 ~ +65			
Element material	Stainless steel				
Ingress Protection (according to EN 60529)	IP67				
Recommended torque on fixation bolts	Nm	M12:100	M18:200	M24:700	
ATEX classification (optional)	II1G Ex ia II1C T4		II1D Ex iaD 20 T73°C		II3G nL IIC T4

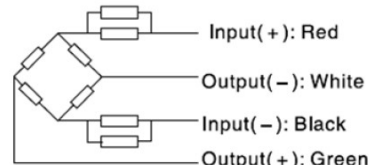
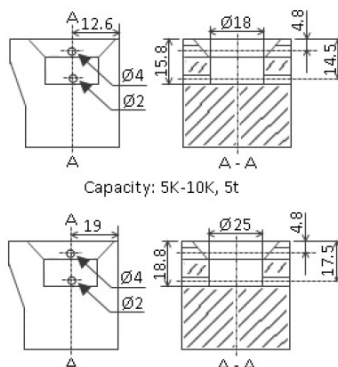
Note 1: 250kg capacity is a bending type product. 250kg is approved up to C5 with Y=10.000. Please check with Zemic Europe for availability.

Outline Dimensions in mm



Capacity	L	L1	L2	L3	d	H	W	D	H1	L4	H2	M
0.25t 250lb, 500lb, 750lb, 1K, 2K	130 (5.12)	15.7 (0.62)	25.4 (1.0)	76.2 (3.0)	13.46 (0.53)	30.2 (1.19)	30.7 (1.20)	13.4 (0.53)	14.23 (0.56)	57.15 (2.25)	28.45 (1.12)	M12-6H 1/2-20UNF-2B
0.5t, 1t, 2t 2.5K, 3K, 4K, 5KSE	130 (5.12)	15.7 (0.62)	25.4 (1.0)	76.2 (3.0)	13.4 (0.52)	31.32 (1.23)	31.32 (1.23)	13.4 (0.53)	15.57 (0.61)	54 (2.12)		M12-6H 1/2-20UNF-2B
5t 5K, 7.5K 10K, 15K	171 (6.73)	19 (0.75)	38.1 (1.5)	95.2 (3.75)	20.65 19.8 (0.78)	36.8 (1.45)	36.8 (1.45)	20.65 19.8 (0.78)	17.78 (0.7)	76 (2.99)		M20X2.5-6H 3/4-16UNF-2B
20K	222.25 (8.75)	25.4 (1.0)	50.8 (2.0)	120.7 (4.75)	26.9 (1.06)	49.5 (1.95)	49.5 (1.95)	27.56 (1.08)	24.78 (0.97)	100 (3.95)		1-12UNF-2B

Part number B8D-XX-XXX-XX-W6
 Capacity: 250lb-5KSE, 250kg-2t



Wiring:

- Shielded, 4 conductor cable. Cable: Ø5 mm.
- Standard cable length: 6m.
- Cable type and cable length for customer's own application are available on request.
- Shield not connected to element.