



### Features

- Capacity: 10-50t
- High accuracy
- Stainless steel construction
- **OIML TC number: TC8153**
- Compression, anti-reversal design, suitable for electronic truck scales, hopper scales and other electronic weighing device

### Specification

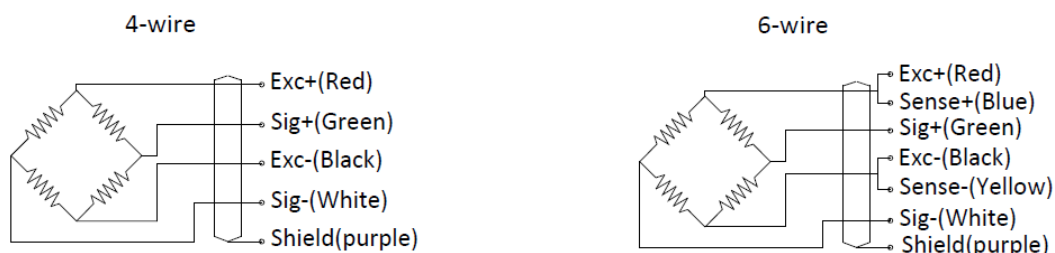
Maximum capacity (E <sub>max</sub> )	t	10 , 15, 20, 25, 30, 40, 50
Rated output (C <sub>n</sub> )	mV/V	2,0 ± 0,002
Accuracy	-	OIML C3
Max. number of intervals (n <sub>LC</sub> )	-	3000
Creep (30 minutes)	±%FS	0.0166
Zero balance	±%FS	1
Temperature effect on zero balance (TCO)	±%FS/10°C	0.02
Temperature effect on sensitivity (TC Span)	±%FS/10°C	0.02
Safe overload	%FS	150
Ultimate overload	%FS	300
Nominal temperature range	°C	-10 ... + 40
Operating temperature range	°C	- 30 ... + 70
Input impedance	Ω	700 ± 20
Output impedance	Ω	706± 7
Insulation impedance	MΩ	≥ 5000
Recommended excitation	V DC/AC	10 -12
Excitation maximum	V DC/AC	15
Material	-	Stainless steel
Protection class	-	IP68
Cable	-	Length: 8m for 10t; 10m for 15 t; 12m for 20-25t; 14m for 30t; 16m for 40-50t; or customize special length to order; Diameter: Φ 5mm

**SATIS SAL300**

<http://codeid.pl/czujniki-tensometryczne-satis>

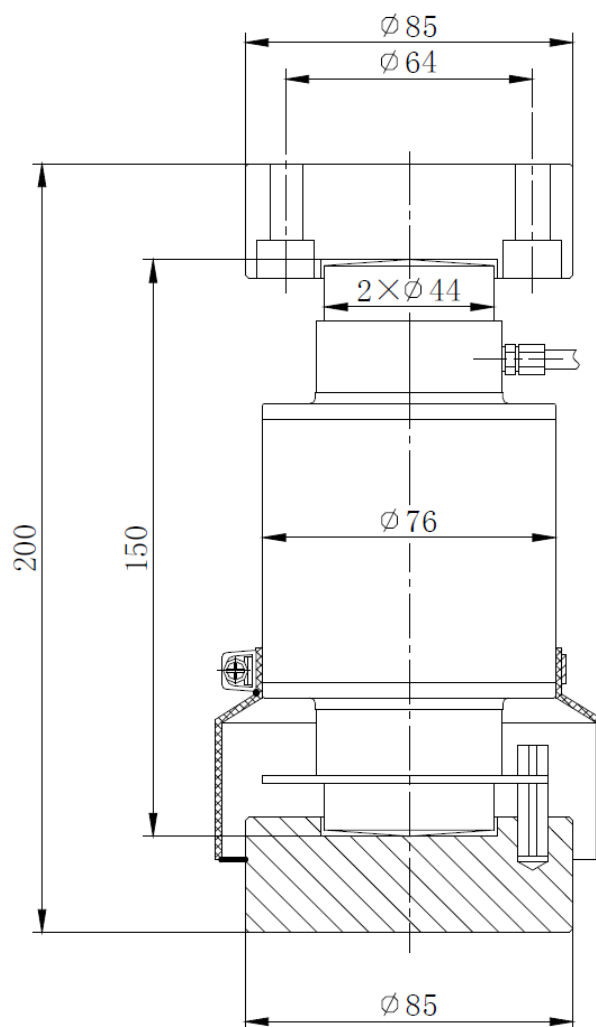
## Wiring

The load cell is provided with a shielded 4 or 6 conductor cable. The shield will be connected or not connected to the load cell according to customer's preference.



## Dimension

Dimension unit:mm



**SATIS SAL300**

<http://codeid.pl/czujniki-tensometryczne-satis>