



Features

- Capacity: 150-5000kg
- High accuracy
- Alloy steel construction
- **OIML TC number: TC8157**
- Shear beam, suitable for electronic platform scales, hopper scales and other electronic weighing device

Specification

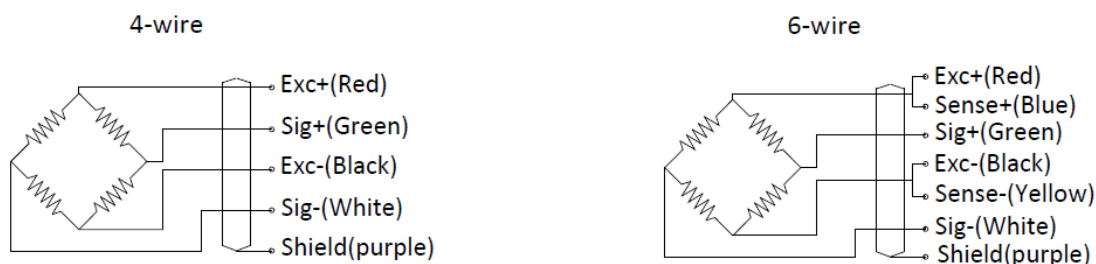
Maximum capacity (E _{max})	kg	150, 250,300,500,750	1000, 1500,2000, 2500,3000,5000
Rated output (C _n)	mV/V	2.0±0.002	2.0±0.002, 3.0±0.003
Accuracy	-	OIML C3	
Max. number of intervals (n _{LC})	-	3000	
Creep (30 minutes)	±%FS	0.0166	
Zero balance	±%FS	1	
Temperature effect on zero balance (TCO)	±%FS/10°C	0.02	
Temperature effect on sensitivity (TC Span)	±%FS/10°C	0.02	
Safe overload	%FS	120	
Ultimate overload	%FS	200	
Nominal temperature range	°C	-10 ... + 40	
Operating temperature range	°C	- 30 ... + 70	
Input impedance	Ω	400 ± 10	
Output impedance	Ω	352 ± 3	
Insulation impedance	MΩ	≥ 5000	
Recommended excitation	V DC/AC	10 - 12	
Excitation maximum	V DC/AC	15	
Material	-	Alloy steel	
Protection class	-	IP68	
Cable	-	Length: 3m for 150-2500kg; 4.2m for 3000-5000kg; or customize special length to order; Diameter: Φ 5mm	

SATIS SAL200

<http://codeid.pl/czujniki-tensometryczne-satis>

Wiring

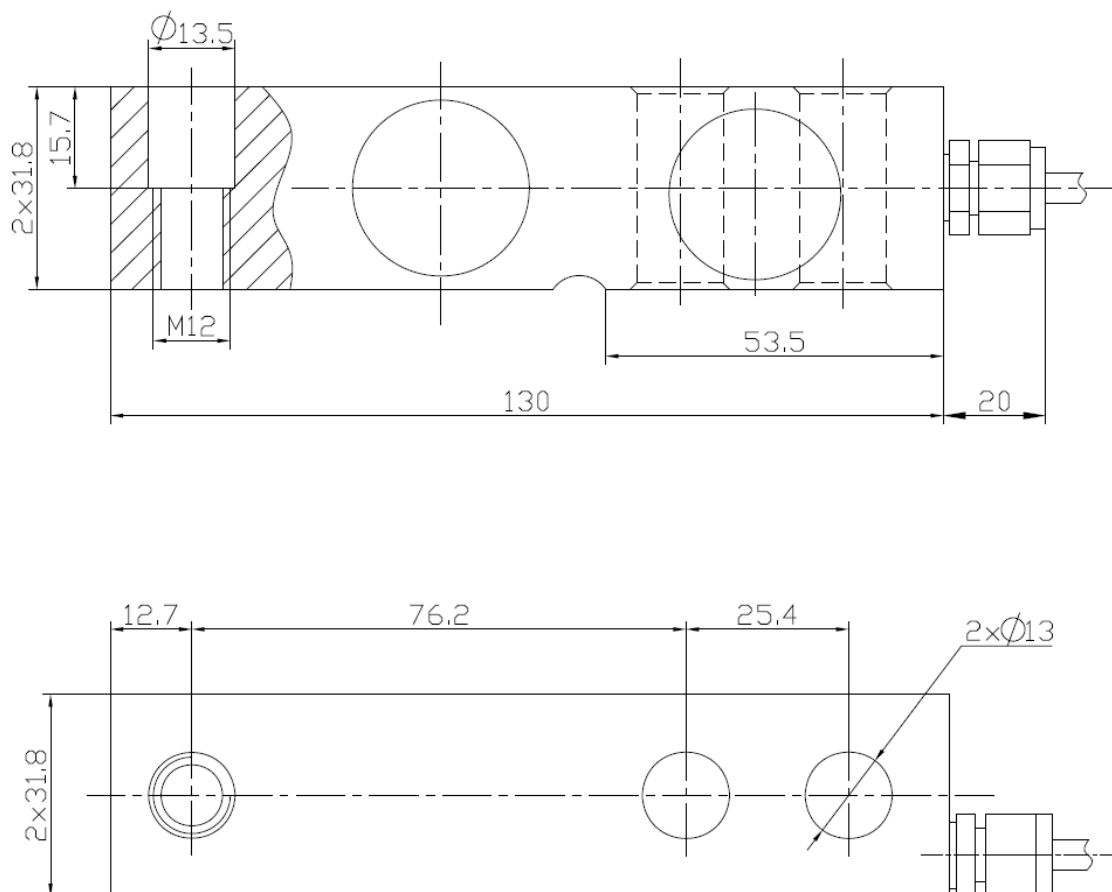
The load cell is provided with a shielded 4 or 6 conductor cable. The shield will be connected or not connected to the load cell according to customer's preference.



Dimension

150 to 750kg:

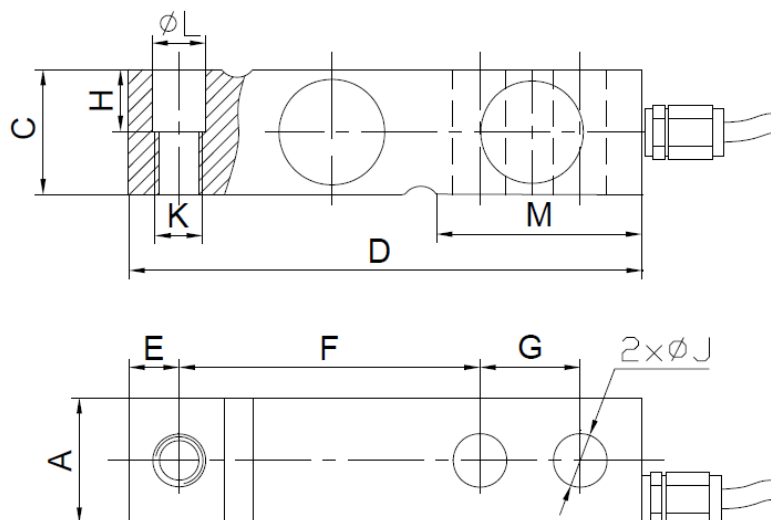
Dimension unit: mm



SATIS SAL200

<http://codeid.pl/czujniki-tensometryczne-satis>

1000-5000kg:



Dimension unit: mm

Capacity (kg)	A	C	D	E	F	G	H	J	K	L	M
1000, 1500, 2000, 2500	32	32	130	12.6	76.2	25.4	16	13	M12 x 1.75	13.5	52
3000, 5000	36.5	48	171.5	19	95.3	38.1	24	20.5	M18 x 1.5	20.5	70

SATIS SAL200

<http://codeid.pl/czujniki-tensometryczne-satis>