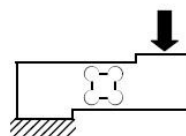
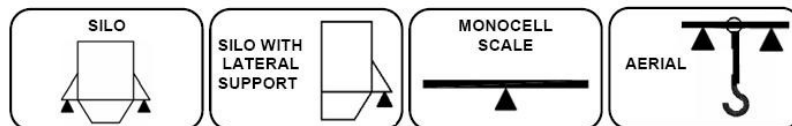


Model: IBM2



OPTIONS
 Sensitivity alignment: $\pm 0,1\%$
 Length of the cable is optional.
 Hostile environmental cable.

ATEX option

EC-Type examination certificate
 CEC 11 ATEX 040 X according directive
 94/9/EC
Ex II 1G EExia IIC
T6 (Ta2-0÷+40°C)
TX (Ta-20÷+65°C)

Ex II 1D tD A20
Tx°C (Ta-20÷+40°C)
TX°C (Ta-20÷+65°C)

For more information look up the
 EC- type examination certificate,
 and documentation.
 Consult for special requirements.

CHARACTERISTICS

Construction using stainless steel. The laser soldered
 closing protects from the typical environment in food
 and chemical industry.
 Mounting compatibility.

APPLICATION:

Weighbridges and silos

CAPACITY RANGE:

100, 200, 300, 500kg

MATERIAL:

Stainless Steel

ENVIRONMENTAL PROTECTION:

IP68

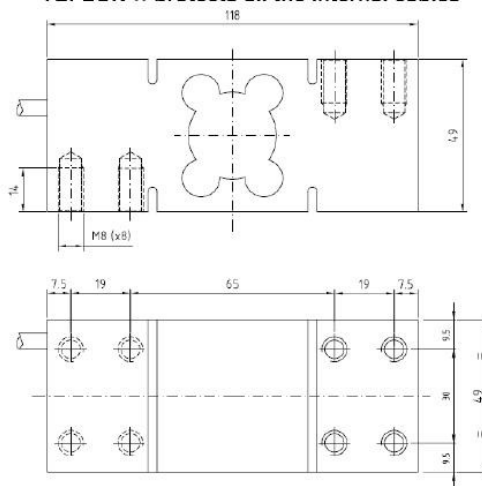
APPROVALS:

CE 3000 & 4000 Div - E.03.02.C09

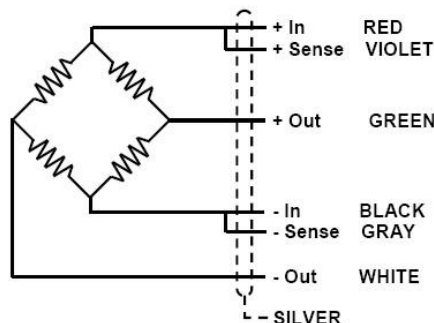
According to OIML - R60



TEFLÓN® protects all the internal cables



Dimensions in mm



Model: **IBM2**

GENERAL TECHNICAL CHARACTERISTICS FOR g= 9,8031 m/ s2		
OIML Class	C3	UNITS
Divisions nLC	3000	
Minimum Dead load Emin	0	kg
Z= Emax / 2DR	3000	
Y= E max./ Vmin.	10000	
Rated Capacity Emax	100 – 200 – 300 – 500	kg
Rated Sensitivity C	2 ± 0,1 %	mV/V
Rated Input Voltage	10	V dc
Input Voltage Range	5...15	V ac/dc
Input Resistance RLC	350 ± 3	Ω
Output Resistance	350 ± 3	Ω
Zero Balance	± 2 %	Emax
Insulation Resistance at 50 V DC	> 5000	M?
Service Overload	> 150	% Emax
Overload Limit	> 300	% Emax
Temperature Range : Compensated	- 10 ... 40	°C
: Operating	- 30 ... 85	°C
: Storage	- 30 ... 90	°C
Max. Nonlinearity	0,02	% Emax
Max. Hysteresis	0,02	% Emax
Max. No repeatability	0,01	% Emax
M Max. Creep in 4 hours	0,03	% Emax
Max. Zero Recovery Test in 1 hour	0,011	% Emax
Max Temperature effect : On Sensitivity	0,0013	% Emax / °C
: On Zero	0,0014	% Emax / °C
Weight	1770	g
Cable Length	3	m
Environmental Protection	IP67 - DIN 40050	