

Model: CF



OPTIONS

Length of the cable is optional.
 Hostile environmental cable.

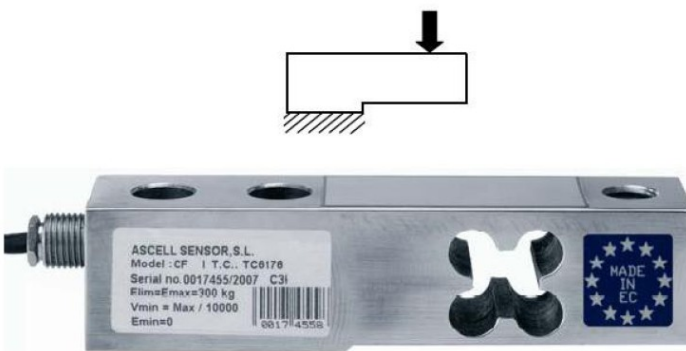
ATEX option

EC-Type examination certificate
 CEC 11 ATEX 040 X according directive
 94/9/EC

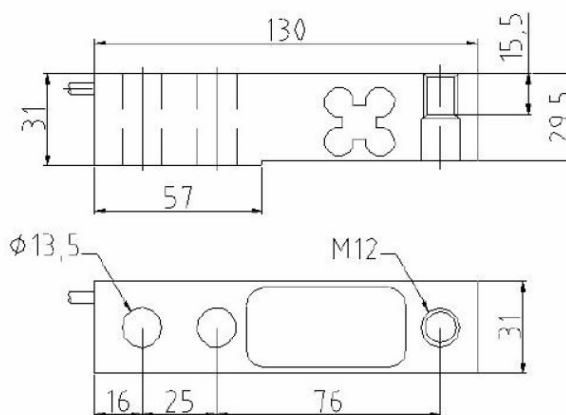
Ex II 1G EExia IIC
T6 (Ta2-0÷+40°C)
TX (Ta-20÷+65°C)

Ex II 1D tD A20
Tx°C (Ta-20÷+40°C)
TX°C (Ta-20÷+65°C)

For more information look up the
 EC- type examination certificate,
 and documentation.
 Consult for special requirements.



TEFLÓN® protects all the internal cables



Dimensions in mm

CHARACTERISTICS

Construction using stainless steel.
 The laser soldered closing
 protects from the typical environment
 in food and chemical industry.
 Mounting compatibility.

APPLICATION:

Weighbridges and silos

CAPACITY RANGE:

50, 100, 200, 300, 500kg

MATERIAL:

Stainless Steel

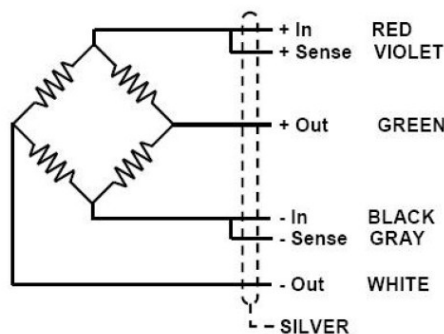
ENVIRONMENTAL PROTECTION:

IP68

APPROVALS:

CE 3000 & 4000 Div - E.03.02.C09

According to OIML - R60



Model: CF

GENERAL TECHNICAL CHARACTERISTICS FOR g= 9,8031 m/ s ²		
OIML Class	C3	UNITS
Divisions nLC	3000	
Minimum Dead load Emin	0	kg
Z= Emax / 2DR	3000	
Y= E max./ Vmin.	10000	
Rated Capacity Emax	50, 100, 150, 300, 500	kg
Rated Sensitivity C	2 ± 0,1 %	mV/V
Rated Input Voltage	10	V dc
Input Voltage Range	5... 15	V ac/dc
Input Resistance RLC	350 ± 3	Ω
Output Resistance	350 ± 3	Ω
Zero Balance	± 2 %	E _{max}
Insulation Resistance at 50 V DC	> 5000	M?
Service Overload	> 150	% E _{max}
Overload Limit	> 300	% E _{max}
Temperature Range : Compensated	- 10 ... 40	°C
: Operating	- 30 ... 85	°C
: Storage	- 30 ... 90	°C
Max. Nonlinearity	0,02	% E _{max}
Max. Hysteresis	0,02	% E _{max}
Max. No repeatability	0,01	% E _{max}
M Max. Creep in 4 hours	0,03	% E _{max}
Max. Zero Recovery Test in 1 hour	0,011	% E _{max}
Max Temperature effect : On Sensitivity	0,0013	% E _{max} / °C
: On Zero	0,0014	% E _{max} / °C
Weight	525	g
Cable Length	5	m
Environmental Protection	IP67 - DIN 40050	