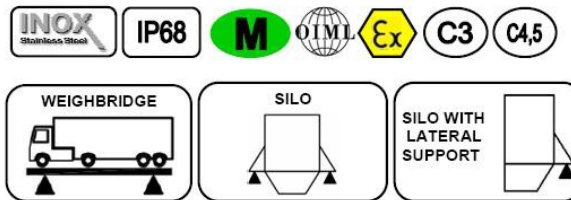


Model: CCI



OPTIONS

Length of the cable is optional.
 Hostile environmental cable.

ATEX option

EC-Type examination certificate
 CEC 11 ATEX 040 X according directive
 94/9/EC

Ex II 1G EExia IIC
T6 (Ta2-0÷+40°C)
TX (Ta-20÷+65°C)

Ex II 1D tD A20
Tx°C (Ta-20÷+40°C)
TX°C (Ta-20÷+65°C)

For more information look up the
 EC- type examination certificate,
 and documentation.
 Consult for special requirements.

CHARACTERISTICS

Construction using stainless steel. The laser
 soldered closing protects from the typical
 environment in food and chemical industry.
 Mounting compatibility.

APPLICATION:

Weighbridges and silos

CAPACITY RANGE:

10t, 15.12t, 20t, 30t, 40t, 60t, 80t

MATERIAL:

Stainless Steel

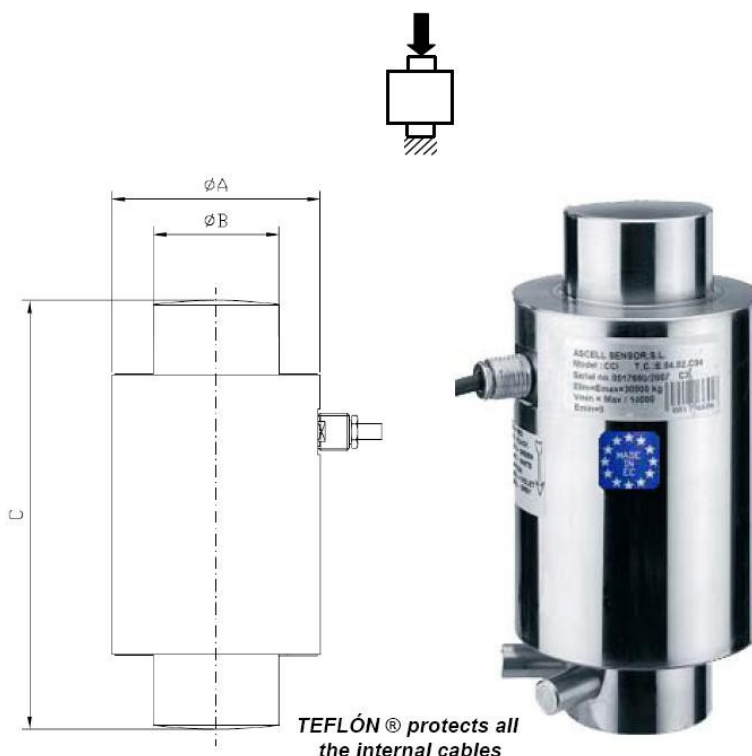
ENVIRONMENTAL PROTECTION:

IP68

APPROVALS:

CE 3000 & 4000 Div - E.03.02.C09

According to OIML - R60



Capacity	A	B	C
16 - 50T	73	44	150
60T	88,9	44	210
80T	88,9	64	210

Dimensions in mm

