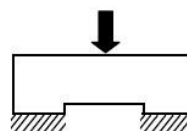


# Model: CBCI



TEFLÓN® protects all the internal cables

## OPTIONS

Length of the cable is optional.  
 Hostile environmental cable.

### ATEX option

EC-Type examination certificate  
 CEC 11 ATEX 040 X according directive  
 94/9/EC

### Ex II 1G EExia IIC

T6 (Ta-20÷+40°C)

TX (Ta-20÷+65°C)

### Ex II 1D tD A20

Tx°C (Ta-20÷+40°C)

TX°C (Ta-20÷+65°C)

For more information look up the  
 EC- type examination certificate,  
 and documentation.  
 Consult for special requirements.

## CHARACTERISTICS

Construction using stainless steel. The laser  
 soldered closing protects from the typical  
 environment in food and chemical industry.  
 Mounting compatibility.

## APPLICATION:

Weighbridges and silos

## CAPACITY RANGE:

10t - 15, 120t - 20t - 25t - 30t

## MATERIAL:

Stainless Steel

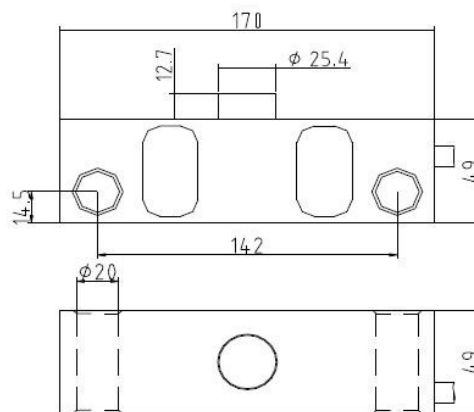
## ENVIRONMENTAL PROTECTION:

IP68

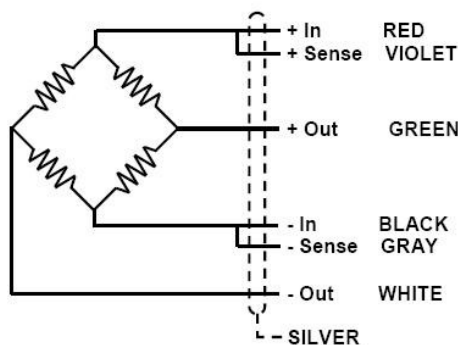
## APPROVALS:

CE 3000 & 4000 Div - E.03.02.C09

According to OIML - R60



Dimensions in mm



# Model: **CBCI**

GENERAL TECHNICAL CHARACTERISTICS FOR g= 9,8031 m/ s2			
OIML Class	C3 - C4	UNITS	
Divisions nLC	3000 - 4000		
Minimum Dead load Emin	0	kg	
Z= Emax / 2DR	3000 - 4000		
Y= E max./ Vmin.	10000		
Rated Capacity Emax	10000 - 15120 - 20000 - 25000 30000	kg	
Rated Sensitivity C	2 ± 0,1 %	mV/V	
Rated Input Voltage	10	V dc	
Input Voltage Range	5... 15	V ac/dc	
Input Resistance RLC	700 ± 10	Ω	
Output Resistance	700 ± 10	Ω	
Zero Balance	± 2 %	Emax	
Insulation Resistance at 50 V DC	> 5000	M?	
Service Overload	> 150	% Emax	
Overload Limit	> 300	% Emax	
Temperature Range : Compensated	- 10 ... 40	°C	
	: Operating	- 30 ... 85	°C
	: Storage	- 30 ... 90	°C
Max. Nonlinearity	0,015	% Emax	
Max. Hysteresis	0,015	% Emax	
Max. No repeatability	0,01	% Emax	
M Max. Creep in 4 hours	0,02	% Emax	
Max. Zero Recovery Test in 1 hour	0,007	% Emax	
Max Temperature effect : On Sensitivity	0,00097	% Emax / °C	
	: On Zero	0,00116	% Emax / °C
Weight	3320	g	
Cable Length	15	m	
Environmental Protection	IP68 - DIN 40050 (100h 1m)		