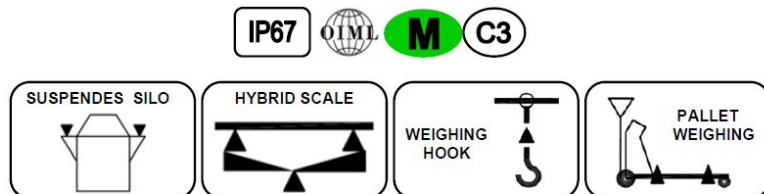


Model: TC



APPLICATION:

Electronic hooks,
 Suspended deposits,
 Hybridizations

CAPACITY RANGE:

15kg - 30kg - 50kg - 100kg - 150kg
 200kg - 300kg - 500kg - 1t

MATERIAL:

Special Steel

ENVIRONMENTAL PROTECTION:

IP67

APPROVALS:

CE 3000 Div – E-12.02.C08 For 300kg
 500kg – 1000 kg.
 According to OIML - R60

CHARACTERISTICS

Construction using special steel. High quality protection
 barrier using special silicones.
 Mounting compatibility

APPLICATIONS

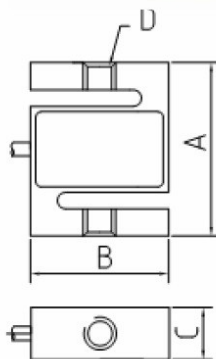
The TC model is manufactured to maintain its performance
 capabilities in the environmental conditions existing in
 industries, where tasks and cleaning demand a good
 environmental protection.

OPTIONS

Sensitivity alignment: $\pm 0,1\%$.
 Consult for special requirements.

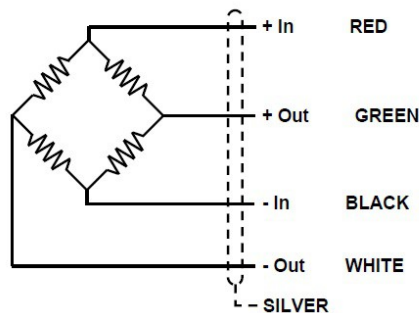


TEFLÓN® protects all
 the internal cables



Capacity	A	B	C	D
15 to 50	64	51	13	M8
100 to 500	76	51	19	M12
1000	76	54	25.4	M12

Dimensions in mm



Model: **TC**

GENERAL TECHNICAL CHARACTERISTICS FOR $g = 9,8031 \text{ m/s}^2$		
OIML Class	C3	UNITS
Divisions nLC	3000	
Minimum Dead load Emin	0	kg
Z= Emax / 2DR	3000	
Y= E max./ Vmin.	10000	
Rated Capacity Emax	15, 30, 50, 100, 150, 200, 300, 500, 1000	kg
Rated Sensitivity C	$2 \pm 0,1 \%$	mV/V
Rated Input Voltage	10	V dc
Input Voltage Range	5...15	V ac/dc
Input Resistance RLC	381 ± 10	Ω
Output Resistance	350 ± 3	Ω
Zero Balance	$\pm 2 \%$	Emax
Insulation Resistance at 50 V DC	> 5000	M?
Service Overload	> 150	% Emax
Overload Limit	> 300	% Emax
Temperature Range : Compensated	- 10 ... 40	$^{\circ}\text{C}$
: Operating	- 30 ... 85	$^{\circ}\text{C}$
: Storage	- 30 ... 90	$^{\circ}\text{C}$
Max. Nonlinearity	0,02	% Emax
Max. Hysteresis	0,02	% Emax
Max. No repeatability	0,01	% Emax
M Max. Creep in 4 hours	0,03	% Emax
Max. Zero Recovery Test in 1 hour	0,2	% Emax
Max Temperature effect : On Sensitivity	0,2	% Emax / $^{\circ}\text{C}$
: On Zero	0,2	% Emax / $^{\circ}\text{C}$
Weight	290(15 – 100kg), 400(150 – 500kg) 500(1000kg)	g
Cable Length	5	m
Environmental Protection	IP67 - DIN 40050	

Optional mounting kits:



Ref: 491300 / 15 to 50kg

Ref: 491301 / 100 to 1t