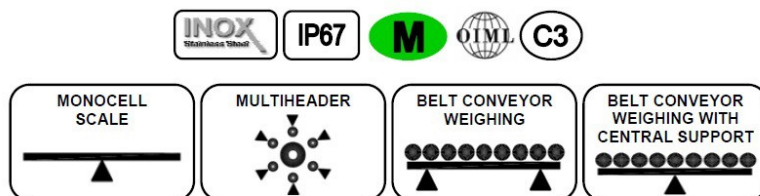


Model: IBM



APPLICATION:
 Mono-cell scales whose platform is up to 400mm x 400mm

CAPACITY RANGE:
 10kg - 15kg - 20kg - 30kg - 50kg

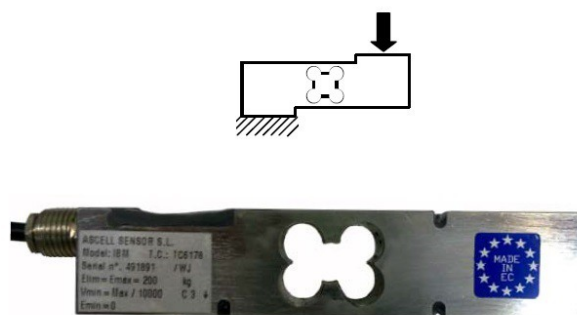
MATERIAL:
 Stainless Steel

ENVIRONMENTAL PROTECTION:
 IP67

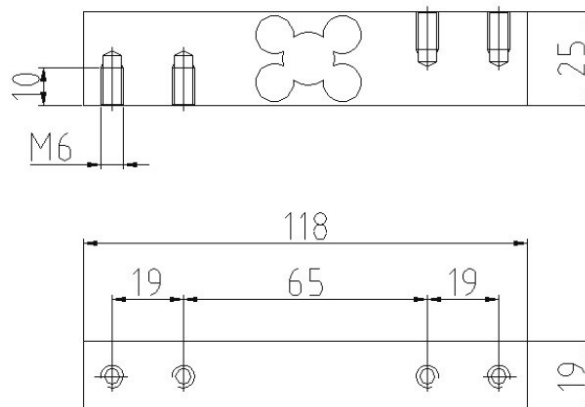
APPROVALS:
 CE 3000 Div - TC6178
 OIML 3000 Div - R60/2000-NL 1-03.03

CHARACTERISTICS
 Manufactured in stainless steel. Only 25mm high.
 High quality protection barrier using special silicones.
 Mounting compatibility.

APPLICATIONS
 The IBM model is specially designed for platforms up to 400mm x 400mm with low profile and is protected from environmental conditions that appear in industry, where work and cleaning require a good environmental protection.

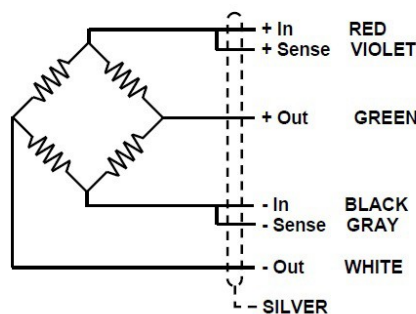


TEFLÓN® protects all the internal cables



Dimensions in mm

OPTIONS
 Sensitivity alignment: $\pm 0,1\%$. Length of the cable is optional.
 Hostile environmental cable. Consult for special requirements.



Model: IBM

GENERAL TECHNICAL CHARACTERISTICS FOR g= 9,8031 m/ s2		
OIML Class	C3	UNITS
Divisions nLC	3000	
Minimum Dead load Emin	0	kg
Z= Emax / 2DR	3000	
Y= E max./ Vmin.	10000	
Rated Capacity Emax	10, 15, 20, 30, 50	kg
Rated Sensitivity C	2 ± 0,1 %	mV/V
Rated Input Voltage	10	V dc
Input Voltage Range	5... 15	V ac/dc
Input Resistance RLC	382 ± 3	Ω
Output Resistance	350 ± 3	Ω
Zero Balance	± 2 %	E _{max}
Insulation Resistance at 50 V DC	> 5000	M?
Service Overload	> 150	% E _{max}
Overload Limit	> 300	% E _{max}
Temperature Range : Compensated	- 10 ... 40	°C
: Operating	- 30 ... 85	°C
: Storage	- 30 ... 90	°C
Max. Nonlinearity	0,02	% E _{max}
Max. Hysteresis	0,02	% E _{max}
Max. No repeatability	0,01	% E _{max}
M Max. Creep in 4 hours	0,03	% E _{max}
Max. Zero Recovery Test in 1 hour	0,011	% E _{max}
Max Temperature effect : On Sensitivity	0,0013	% E _{max} / °C
: On Zero	0,0014	% E _{max} / °C
Weight	360	g
Cable Length	5	m
Environmental Protection	IP67	