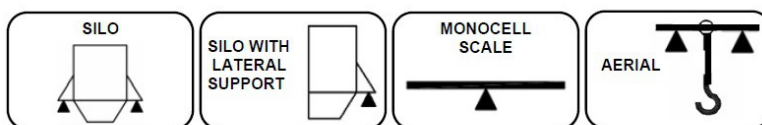


# Model: IBM3



**APPLICATION:**

Mono-cell scales whose platform is up to 800mm x 800mm

**CAPACITY RANGE:**

150kg - 300kg - 500kg - 1000kg

**MATERIAL:**

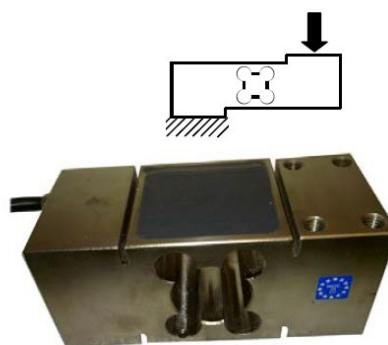
Stainless Steel

**ENVIRONMENTAL PROTECTION:**

IP67

**APPROVALS:**

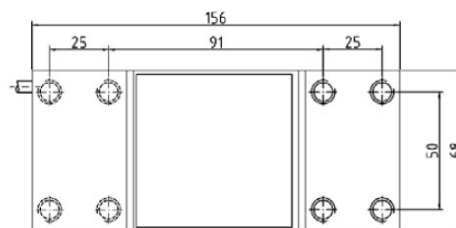
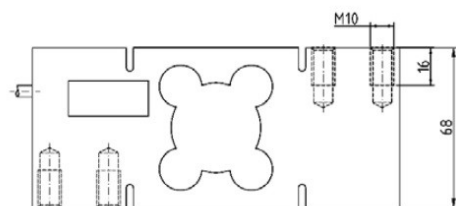
CE 3000 Div - TC6178  
 OIML 3000 Div - R60/2000-NL 1-03.03



TEFLÓN® protects all the internal cables

**CHARACTERISTICS**

Manufactured in stainless steel. Only 68mm high.  
 High quality protection barrier using special silicones protects from the typical environment in food and chemical industry.  
 Mounting compatibility.



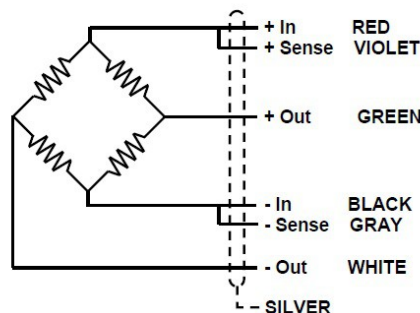
Dimensions in mm

**APPLICATIONS**

The IBM3-IP67 model is specially designed for platforms up to 800mm x 800mm with low profile and is protected from environmental conditions that appear in industry, where work and cleaning require a good environmental protection.

**OPTIONS**

Sensitivity alignment: ± 0,1%.  
 Length of the cable is optional.  
 Hostile environmental cable.  
 Consult for special requirements.



## Model: **IBM3**

GENERAL TECHNICAL CHARACTERISTICS FOR $g = 9,8031 \text{ m/s}^2$		
OIML Class	C3	UNITS
Divisions nLC	3000	
Minimum Dead load Emin	0	kg
Z= Emax / 2DR	3000	
Y= E max./ Vmin.	10000	
Rated Capacity Emax	150 - 300 - 500 - 1000	kg
Rated Sensitivity C	$2 \pm 0,1 \%$	mV/V
Rated Input Voltage	10	V dc
Input Voltage Range	5... 15	V ac/dc
Input Resistance RLC	$382 \pm 3$	$\Omega$
Output Resistance	$350 \pm 3$	$\Omega$
Zero Balance	$\pm 2 \%$	E <sub>max</sub>
Insulation Resistance at 50 V DC	> 5000	M?
Service Overload	> 150	% E <sub>max</sub>
Overload Limit	> 300	% E <sub>max</sub>
Temperature Range : Compensated	- 10 ... 40	°C
: Operating	- 30 ... 85	°C
: Storage	- 30 ... 90	°C
Max. Nonlinearity	0,02	% E <sub>max</sub>
Max. Hysteresis	0,02	% E <sub>max</sub>
Max. No repeatability	0,01	% E <sub>max</sub>
M Max. Creep in 4 hours	0,03	% E <sub>max</sub>
Max. Zero Recovery Test in 1 hour	0,011	% E <sub>max</sub>
Max Temperature effect : On Sensitivity	0,0013	% E <sub>max</sub> / °C
: On Zero	0,0014	% E <sub>max</sub> / °C
Weight	4400	g
Cable Length	3	m
Environmental Protection	IP67	