

Model: IBM2



APPLICATION:

Mono-cell scales whose platform is up to 600mm x 600mm

CAPACITY RANGE:

100kg - 200kg - 300kg - 500kg

MATERIAL:

Stainless Steel

ENVIRONMENTAL PROTECTION:

IP67

APPROVALS:

CE 3000 Div - TC6178
 OIML 3000 Div - R60/2000-NL 1-03.03

CHARACTERISTICS

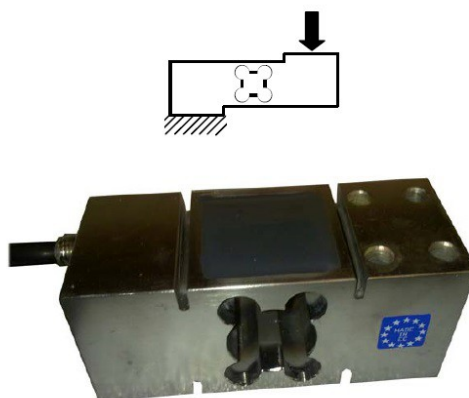
Manufactured in stainless steel. Only 49mm high.
 High quality protection barrier using special silicones protects from the typical environment in food and chemical industry.
 Mounting compatibility.

APPLICATIONS

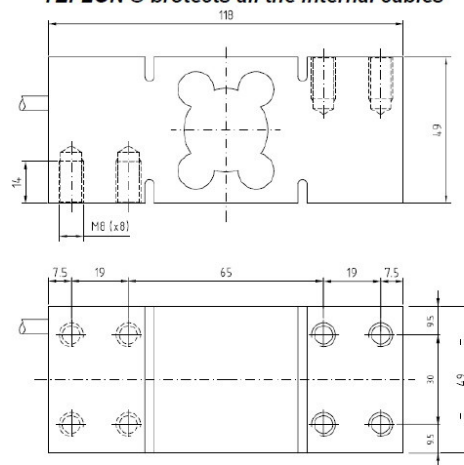
The IBM2-IP67 model is specially designed for platforms up to 600mm x 600mm with low profile and is protected from environmental conditions that appear in industry, where work and cleaning require a good environmental

OPTIONS

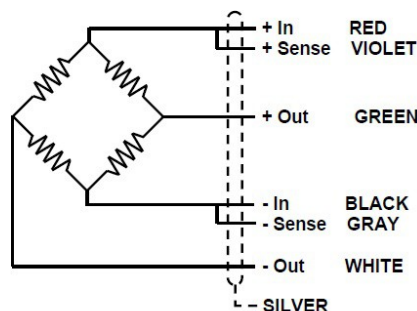
Sensitivity alignment: $\pm 0,1\%$.
 Length of the cable is optional.
 Hostile environmental cable.
 Consult for special requirements.



TEFLÓN® protects all the internal cables



Dimensions in mm



Model: IBM2

GENERAL TECHNICAL CHARACTERISTICS FOR $g = 9,8031 \text{ m/ s}^2$		
OIML Class	C3	UNITS
Divisions nLC	3000	
Minimum Dead load Emin	0	kg
Z= Emax / 2DR	3000	
Y= E max./ Vmin.	10000	
Rated Capacity Emax	100 - 200 - 300 - 500	kg
Rated Sensitivity C	$2 \pm 0,1 \%$	mV/V
Rated Input Voltage	10	V dc
Input Voltage Range	5... 15	V ac/dc
Input Resistance RLC	382 ± 3	Ω
Output Resistance	350 ± 3	Ω
Zero Balance	$\pm 2 \%$	Emax
Insulation Resistance at 50 V DC	> 5000	M?
Service Overload	> 150	% Emax
Overload Limit	> 300	% Emax
Temperature Range : Compensated	- 10 ... 40	$^{\circ}\text{C}$
: Operating	- 30 ... 85	$^{\circ}\text{C}$
: Storage	- 30 ... 90	$^{\circ}\text{C}$
Max. Nonlinearity	0,02	% Emax
Max. Hysteresis	0,02	% Emax
Max. No repeatability	0,01	% Emax
M Max. Creep in 4 hours	0,03	% Emax
Max. Zero Recovery Test in 1 hour	0,011	% Emax
Max Temperature effect : On Sensitivity	0,0013	% Emax / $^{\circ}\text{C}$
: On Zero	0,0014	% Emax / $^{\circ}\text{C}$
Weight	1770	g
Cable Length	3	m
Environmental Protection	IP67	