

Model: CS

APPLICATION:
 Multi-cell scales

CAPACITY RANGE:
 750kg - 1000kg - 1500kg – 2000kg

MATERIAL:
 Plated steel

ENVIRONMENTAL PROTECTION:
 IP67

APPROVALS:
 CE 3000 Div - TC6177
 OIML 3000 Div - R60/2000-NL 1-03.02

CHARACTERISTICS

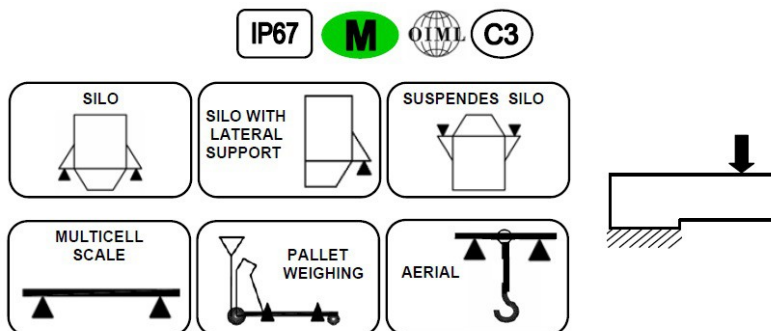
Construction using special steel.
 High quality protection barrier using special silicones.
 Mounting compatibility.

APPLICATIONS

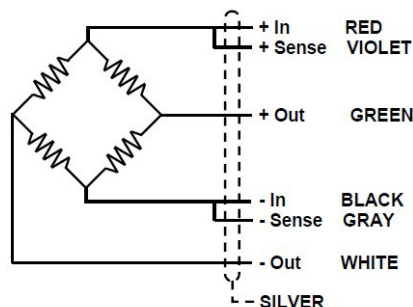
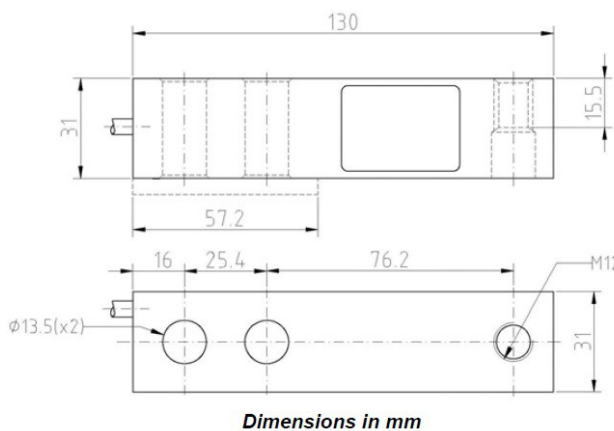
CS model is manufactured to maintain its performance capabilities in the environmental conditions existing in industries, where tasks and cleaning demand a good environmental protection.
 If the required capacities are under 750 kg., select the CF model which is mechanically compatible and reaches from 30kg to 500kg capacity.

OPTIONS

Length of the cable is optional.
 Hostile environmental cable. Consult for special requirements.



TEFLÓN® protects all the internal cables



Model: CS

GENERAL TECHNICAL CHARACTERISTICS FOR $g = 9,8031 \text{ m/s}^2$		
OIML Class	C3	UNITS
Divisions nLC	3000	
Minimum Dead load Emin	0	kg
Z= Emax / 2DR	3000	
Y= E max./ Vmin.	10000	
Rated Capacity Emax	750, 1000, 1500, 2000	kg
Rated Sensitivity C	$2 \pm 10 \%$	mV/V
Rated Input Voltage	10	V dc
Input Voltage Range	5... 15	V ac/dc
Input Resistance RLC	350 ± 3	Ω
Output Resistance	350 ± 3	Ω
Zero Balance	$\pm 2 \%$	E _{max}
Insulation Resistance at 50 V DC	> 5000	M?
Service Overload	> 150	% E _{max}
Overload Limit	> 300	% E _{max}
Temperature Range : Compensated	- 10 ... 40	°C
: Operating	- 30 ... 85	°C
: Storage	- 30 ... 90	°C
Max. Nonlinearity	0,02	% E _{max}
Max. Hysteresis	0,02	% E _{max}
Max. No repeatability	0,01	% E _{max}
M Max. Creep in 4 hours	0,03	% E _{max}
Max. Zero Recovery Test in 1 hour	0,011	% E _{max}
Max Temperature effect : On Sensitivity	0,0013	% E _{max} / °C
: On Zero	0,0014	% E _{max} / °C
Weight	830	g
Cable Length	5	m
Environmental Protection	IP67 - DIN 40050	

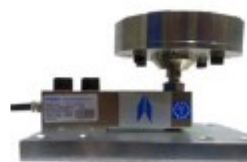
Optional mounting kits:



Ref. kit: 491214



Ref. kit: 491101A



Ref. kit: 491221



Ref. kit: 491107



Ref. kit: 491209



Ref. kit: 491206



Ref. kit: 491223