

Model: CSI-IP68

APPLICATION:
 Multi-cell scales

CAPACITY RANGE:
 750kg - 1000kg - 1500kg - 2000kg

MATERIAL:
 Stainless steel

ENVIRONMENTAL PROTECTION:
 IP68

APPROVALS:
 CE 3000 Div - TC6177
 OIML 3000 Div - R60/2000-NL 1-03.02

CHARACTERISTICS
 Construction using stainless steel. The laser soldered closing protects from the typical environment in food and chemical industry.
 Mounting compatibility.

APPLICATIONS
 CSI-IP68 model is manufactured to maintain its performance capabilities in the environmental conditions existing in industries, where tasks and cleaning demand a good environmental protection.
 If the required capacities are under 750kg., select the CFI-IP68 model which is mechanically compatible and reaches from 50kg to 500kg capacity.

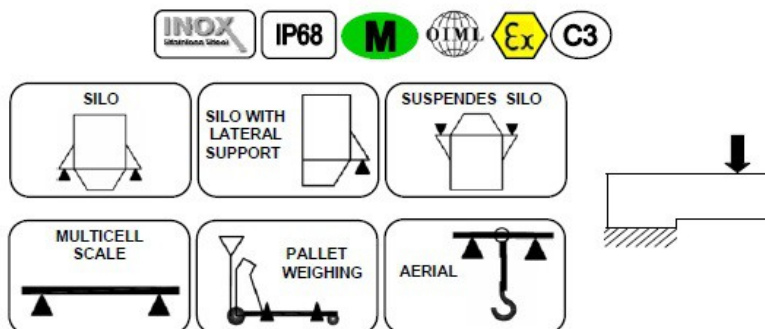
OPTIONS
 Length of the cable is optional.
 Hostile environmental cable.

ATEX option EC-Type examination certificate
 CEC 11 ATEX 040 X according directive 94/9/EC

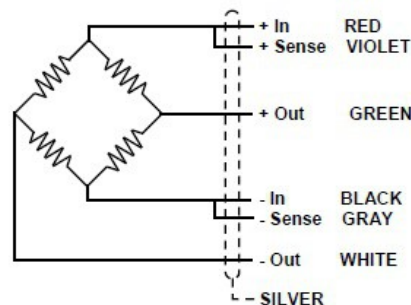
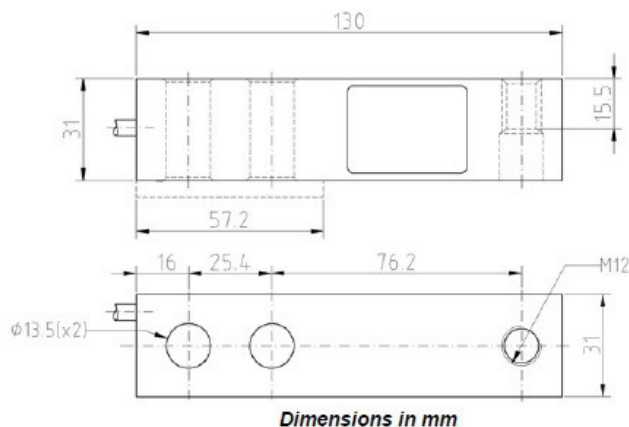
II 1G EExia IIC T6 (Ta-20+40°C)
 TX (Ta-20+65°C)

II 1D tD A20 TX°C (Ta-20+40°C)
 TX°C (Ta-20+65°C)

For more information look up the EC-type examination, and documentation.
 Consult for special requirements.



TEFLÓN® protects all the internal cables



Model: CSI-IP68

GENERAL TECHNICAL CHARACTERISTICS FOR g= 9,8031 m/ s2		
OIML Class	C3	UNITS
Divisions nLC	3000	
Minimum Dead load Emin	0	kg
Z= Emax / 2DR	3000	
Y= E max./ Vmin.	10000	
Rated Capacity Emax	750, 1000, 1500, 2000	kg
Rated Sensitivity C	2 ± 0,1 %	mV/V
Rated Input Voltage	10	V dc
Input Voltage Range	5... 15	V ac/dc
Input Resistance RLC	350 ± 3	Ω
Output Resistance	350 ± 3	Ω
Zero Balance	± 2 %	E _{max}
Insulation Resistance at 50 V DC	> 5000	M?
Service Overload	> 150	% E _{max}
Overload Limit	> 300	% E _{max}
Temperature Range : Compensated	- 10 ... 40	°C
: Operating	- 30 ... 85	°C
: Storage	- 30 ... 90	°C
Max. Nonlinearity	0,02	% E _{max}
Max. Hysteresis	0,02	% E _{max}
Max. No repeatability	0,01	% E _{max}
M Max. Creep in 4 hours	0,03	% E _{max}
Max. Zero Recovery Test in 1 hour	0,011	% E _{max}
Max Temperature effect : On Sensitivity	0,0013	% E _{max} / °C
: On Zero	0,0014	% E _{max} / °C
Weight	830	g
Cable Length	5	m
Environmental Protection	IP68 - DIN 40050 (100h 1m)	

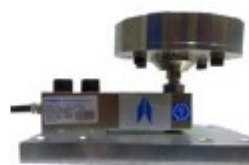
Optional mounting kits:



Ref. kit: 491216



Ref. kit: 491100A



Ref. kit: 491220



Ref. kit: 491106



Ref. kit: 491209



Ref. kit: 491206



Ref. kit: 491222