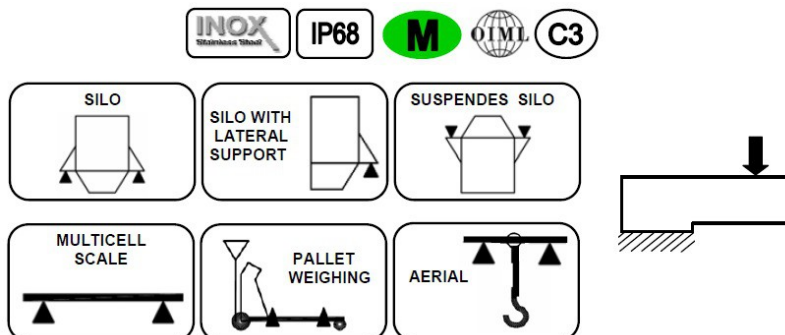


# Model: CSI2



**APPLICATION:**  
 Multi-cell scales

**CAPACITY RANGE:**  
 750kg - 1000kg - 1500kg

**MATERIAL:**  
 Stainless steel

**ENVIRONMENTAL PROTECTION:**  
 IP68

**APPROVALS:**  
 CE 3000 Div - TC6177  
 OIML 3000 Div - R60/2000-NL 1-03.02

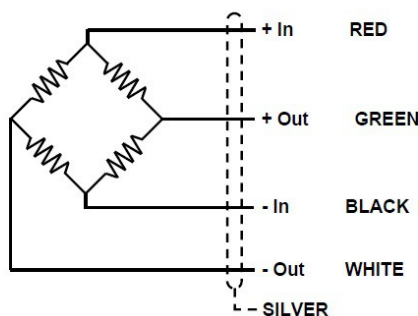
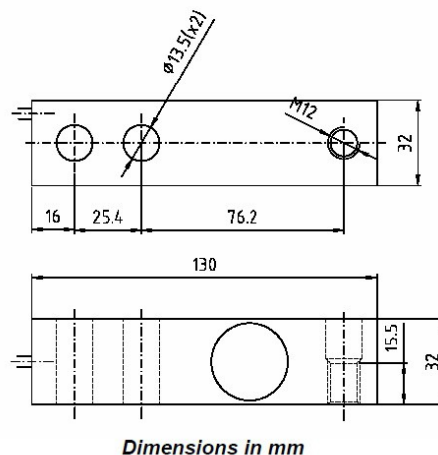
**CHARACTERISTICS**  
 Construction using stainless steel. High quality protection barrier using special silicones.  
 Mounting compatibility.

**APPLICATIONS**  
 CSI2 model is manufactured to maintain its performance capabilities in the environmental conditions existing in industries, where tasks and cleaning demand a good environmental protection.  
 If the required capacities are under 750kg., select the CFI-IP67 model which is mechanically compatible and reaches from 50kg to 500kg capacity.

**OPTIONS**  
 Consult for special requirements.



TEFLÓN® protects all the internal cables



# Model: CSI2

GENERAL TECHNICAL CHARACTERISTICS FOR $g = 9,8031 \text{ m/s}^2$		
OIML Class	C3	UNITS
Divisions nLC	3000	
Minimum Dead load Emin	0	kg
Z= Emax / 2DR	3000	
Y= E max./ Vmin.	10000	
Rated Capacity Emax	750, 1000, 1500	kg
Rated Sensitivity C	$2 \pm 0,1 \%$	mV/V
Rated Input Voltage	10	V dc
Input Voltage Range	5...15	V ac/dc
Input Resistance RLC	$385 \pm 3$	$\Omega$
Output Resistance	$350 \pm 3$	$\Omega$
Zero Balance	$\pm 2 \%$	E <sub>max</sub>
Insulation Resistance at 50 V DC	> 5000	M?
Service Overload	> 150	% E <sub>max</sub>
Overload Limit	> 300	% E <sub>max</sub>
Temperature Range : Compensated	- 10 ... 40	°C
	: Operating	- 30 ... 85
	: Storage	- 30 ... 90
Max. Nonlinearity	0,02	% E <sub>max</sub>
Max. Hysteresis	0,02	% E <sub>max</sub>
Max. No repeatability	0,01	% E <sub>max</sub>
M Max. Creep in 4 hours	0,03	% E <sub>max</sub>
Max. Zero Recovery Test in 0,5 hour	0,011	% E <sub>max</sub>
Max Temperature effect : On Sensitivity	0,0013	% E <sub>max</sub> / °C
	: On Zero	0,0014
Weight	830	g
Cable Length	5	m
Environmental Protection	IP68 - DIN 40050 (100h 1m)	

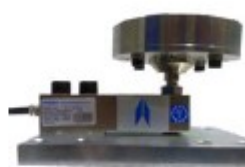
Optional mounting kits:



Ref. kit: 491216



Ref. kit: 491100A



Ref. kit: 491220



Ref. kit: 491106



Ref. kit: 491209



Ref. kit: 491206



Ref. kit: 491222