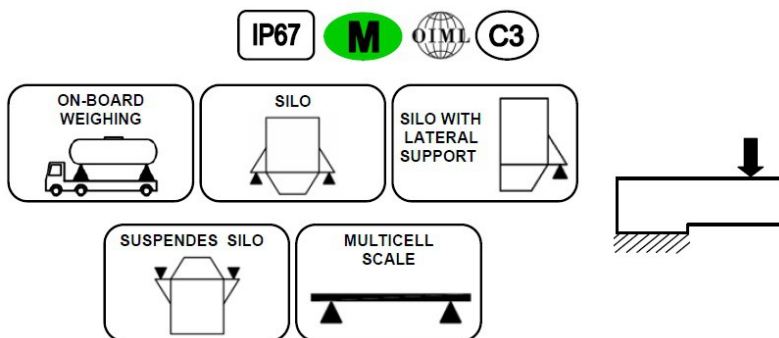


Model: CSG



APPLICATION:
Multi-cell scales

CAPACITY RANGE:
3t - 5t

MATERIAL:
Special steel

ENVIRONMENTAL PROTECTION:
IP67

APPROVALS:
CE 3000 Div - TC6177 for 3t OIML 3000 Div - R60/2000-NL 1-03.02

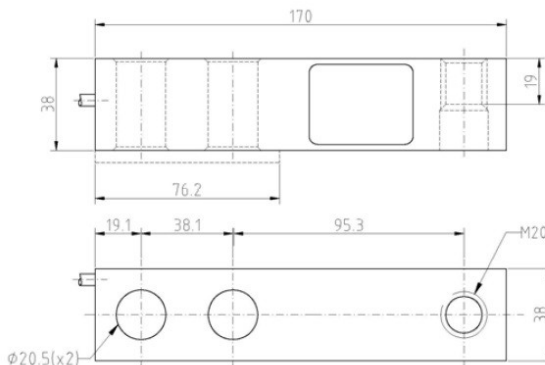
CHARACTERISTICS
Construction using special steel. High quality protection barrier using special silicones. Mounting compatibility.

APPLICATIONS
The CSG model is manufactured to maintain its performance capabilities in the environmental conditions existing in industries, where tasks and cleaning demand a good environmental protection

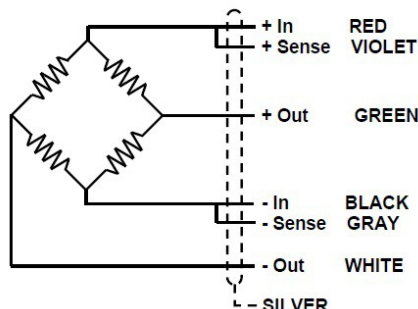
OPTIONS
Length of the cable is optional. Hostile environmental cable. Consult for special requirements.



TEFLÓN® protects all the internal cables



Dimensions in mm



Model: CSG

GENERAL TECHNICAL CHARACTERISTICS FOR g= 9,8031 m/ s2		
OIML Class	C3	UNITS
Divisions nLC	3000	
Minimum Dead load Emin	0	kg
Z= Emax / 2DR	3000	
Y= E max./ Vmin.	10000	
Rated Capacity Emax	3000, 5000,	kg
Rated Sensitivity C	2 ± 0,1 %	mV/V
Rated Input Voltage	10	V dc
Input Voltage Range	5... 15	V ac/dc
Input Resistance RLC	350 ± 3	Ω
Output Resistance	350 ± 3	Ω
Zero Balance	± 2 %	Emax
Insulation Resistance at 50 V DC	> 5000	M?
Service Overload	> 150	% Emax
Overload Limit	> 300	% Emax
Temperature Range : Compensated	- 10 ... 40	°C
: Operating	- 30 ... 85	°C
: Storage	- 30 ... 90	°C
Max. Nonlinearity	0,02	% Emax
Max. Hysteresis	0,02	% Emax
Max. No repeatability	0,01	% Emax
M Max. Creep in 4 hours	0,03	% Emax
Max. Zero Recovery Test in 1 hour	0,011	% Emax
Max Temperature effect : On Sensitivity	0,0013	% Emax / °C
: On Zero	0,0014	% Emax / °C
Weight	1500	g
Cable Length	5	m
Environmental Protection	IP67 - DIN 40050	

Optional mounting kits:



Ref: 491210
 Ref: 491212 (S. Steel)



Ref: 491102



Ref: 491213



Ref: 491215
 Ref: 491218 (S. Steel)