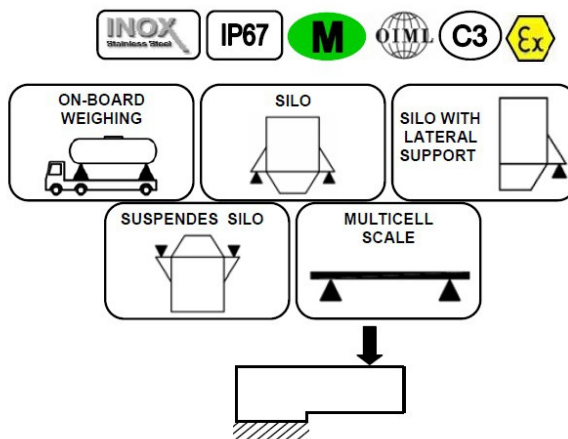


Model: CSGI-IP68



TEFLÓN © protects all the internal cables

APPLICATION:
Multi-cell scales

CAPACITY RANGE:
3t - 5t

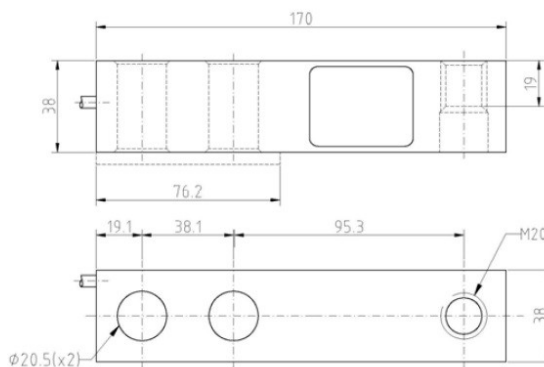
MATERIAL:
Stainless steel

ENVIRONMENTAL PROTECTION:
IP68

APPROVALS:
CE 3000 Div - TC6177 for 3t
OIML 3000 Div - R60/2000-NL 1-03.02

CHARACTERISTICS
Construction using special steel. High quality protection barrier using special silicones.
Mounting compatibility.

APPLICATIONS
The CSGI-IP68 model is manufactured to maintain its performance capabilities in the environmental conditions existing in industries, where tasks and cleaning demand a good environmental protection



Dimensions in mm

OPTIONS
Length of the cable is optional.
Hostile environmental cable.
ATEX option EC-Type examination certificate
CEC 11 ATEX 040 X according directive 94/9/EC
 Ex II 1G EExia IIC T6 (Ta2-0÷+40°C)
 TX (Ta-20÷+65°C)
 Ex II 1D tD A20 TX°C (Ta-20÷+40°C)
 TX°C (Ta-20÷+65°C)

For more information look up the EC-type examination certificate, and documentation.
Consult for special requirements.

