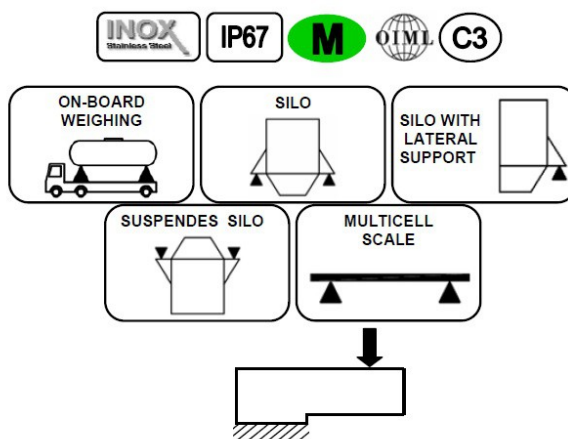


# Model: CSGI-IP67



**APPLICATION:**  
Multi-cell scales

**CAPACITY RANGE:**  
3t - 5t

**MATERIAL:**  
Stainless steel

**ENVIRONMENTAL PROTECTION:**  
IP67

**APPROVALS:**  
CE 3000 Div - TC6177 for 3t OIML 3000 Div - R60/2000-NL 1-03.02

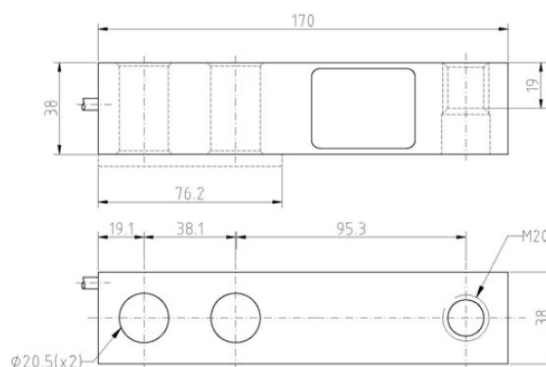
**CHARACTERISTICS**  
Construction using special steel. High quality protection barrier using special silicones.  
Mounting compatibility.

**APPLICATIONS**  
The CSGI-IP67 model is manufactured to maintain its performance capabilities in the environmental conditions existing in industries, where tasks and cleaning demand a good environmental protection

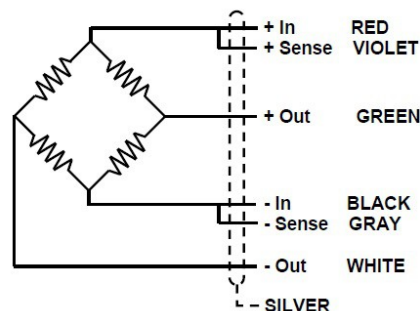
**OPTIONS**  
Length of the cable is optional.  
Hostile environmental cable. Consult for special requirements.



TEFLÓN © protects all the internal cables



Dimensions in mm



# Model: CSGI-IP67

