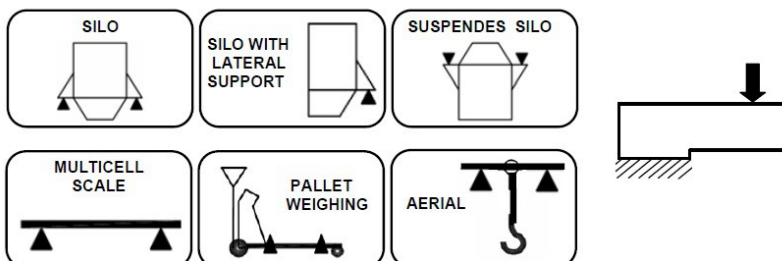


Model: CSC



APPLICATION:
 Multi-cell scales

CAPACITY RANGE:
 750kg - 1000kg - 1500kg

MATERIAL:
 Special steel

ENVIRONMENTAL PROTECTION:
 IP67

APPROVALS:
 CE 3000 Div - TC6177
 OIML 3000 Div - R60/2000-NL 1-03.02

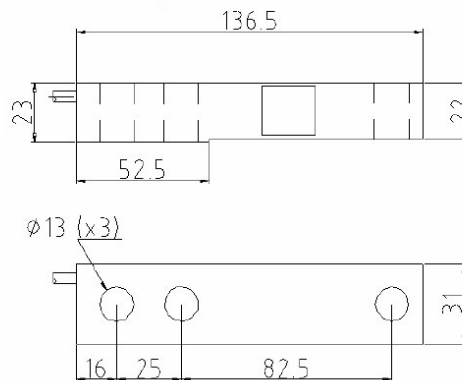
CHARACTERISTICS
 Construction using special steel.
 High quality protection barrier using special silicones.
 Mounting compatibility.

APPLICATIONS
 The CSC model is manufactured to maintain its performance capabilities in the environmental conditions existing in industries, where tasks and cleaning demand a good environmental protection

OPTIONS
 Length of the cable is optional.
 Consult for special requirements.



TEFLÓN® protects all the internal cables



Dimensions in mm

