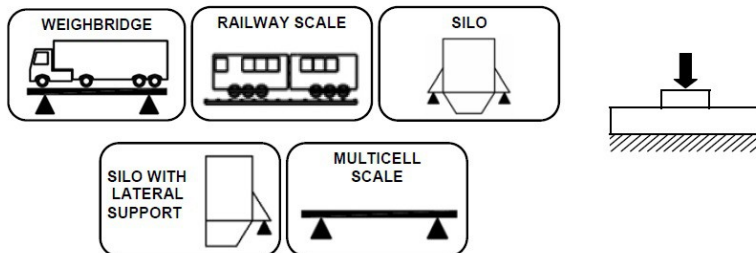


Model: CSA



APPLICATION:

Deposits, weighbridges, tanks and silos

CAPACITY RANGE:

1t - 2t - 5t - 10t - 20t - 30t - 50t - 100t

MATERIAL:

Stainless steel cell body with painted with high-strength steel painted housing.

ENVIRONMENTAL PROTECTION:

IP67 (30- 50 & 100t)

IP68 (1 - 2 - 5 -10 & 20t)

APPROVALS:

According to OIML - R60

CHARACTERISTICS

Construction using stainless steel. The closing welded by laser protects the system from the typical environment in food and chemical industry.

APPLICATIONS

The CSA model is manufactured to maintain its performance capabilities in external environmental conditions. Its application is the weight control of deposits, silos, tanks and weighbridges that include fixing compatible load cells.

OPTIONS

Sizes, specifications and capacities cover the whole requirements for any application. Its performance is simulated by finite elements.

Length of the cable is optional.

Hostile environmental cable.

ATEX option EC-Type examination certificate

CEC 11 ATEX 040 X according directive 94/9/EC

Ex II 1G EExia IIC T6 (Ta2-0÷+40°C)

TX (Ta-20÷+65°C)

Ex II 1D tD A20 TX°C (Ta-20÷+40°C)

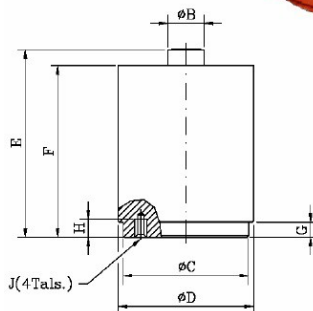
TX°C (Ta-20÷+65°C)

For more information look up the EC-type examination certificate, and documentation.

Consult for special requirements.

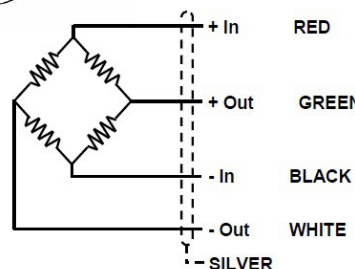
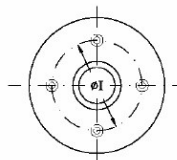


TEFLÓN® protects all the internal cables



Cap.	B	C	D	E	F	G	H	I	J
1,2,5	24	83	90	125	114	5	12	60	M8
10,20t	34	100	110	160	149	8	12	68	M12
30t	34	138	150	224	211	8	20	100	M12
50t	45	138	150	224	211	8	20	100	M12
100t	64	138	150	224	211	9	20	110	M16

Dimensions in mm



Model: **CSA**

GENERAL TECHNICAL CHARACTERISTICS FOR g= 9,8031 m/ s2		
OIML Class	C1	UNITS
Divisions nLC	1000	
Minimum Dead load Emin	0	kg
Z= Emax / 2DR	1000	
Y= E max./ Vmin.	8000	
Rated Capacity Emax	1, 2, 5, 10, 20, 30, 50, 100	t
Rated Sensitivity C	2 ± 10 %	mV/V
Rated Input Voltage	10	V dc
Input Voltage Range	5...15	V ac/dc
Input Resistance RLC	350 ± 3	Ω
Output Resistance	350 ± 3	Ω
Zero Balance	± 2 %	Emax
Insulation Resistance at 50 V DC	> 5000	M?
Service Overload	> 150	% Emax
Overload Limit	> 300	% Emax
Temperature Range : Compensated	- 10 ... 40	°C
: Operating	- 30 ... 85	°C
: Storage	- 30 ... 90	°C
Max. Nonlinearity	0,1	% Emax
Max. Hysteresis	0,1	% Emax
Max. No repeatability	0,5	% Emax
M Max. Creep in 4 hours	0,5	% Emax
Max. Zero Recovery Test in 1 hour	0,03	% Emax
Max Temperature effect : On Sensitivity	0,0013	% Emax / °C
: On Zero	0,0014	% Emax / °C
Cable Length	15	m
Environmental Protection	IP67 - DIN 40050 IP68 - DIN 40050 (100h / 1m)	