

# Model: CS2

**APPLICATION:**  
 Multi-cell scales

**CAPACITY RANGE:**  
 750kg - 1000kg - 1500kg

**MATERIAL:**  
 Plated steel

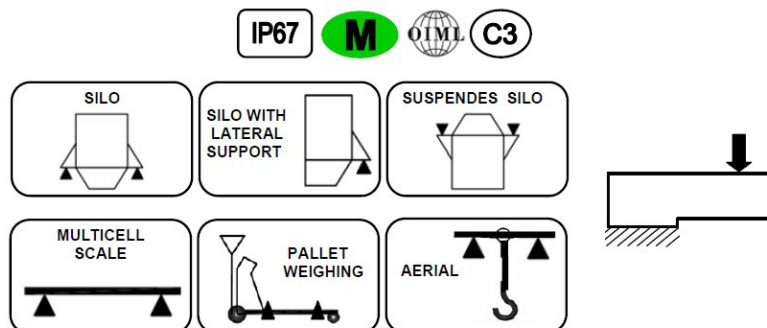
**ENVIRONMENTAL PROTECTION:**  
 IP67

**APPROVALS:**  
 CE 3000 Div - TC6177 OIML 3000 Div - R60/2000-NL 1-03.02

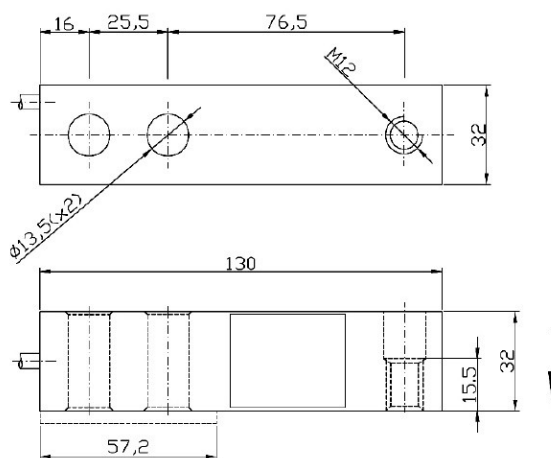
**CHARACTERISTICS**  
 Construction using special steel.  
 High quality protection barrier using special silicones.  
 Mounting compatibility.

**APPLICATIONS**  
 CS2 model is manufactured to maintain its performance capabilities in the environmental conditions existing in industries, where tasks and cleaning demand a good environmental protection.

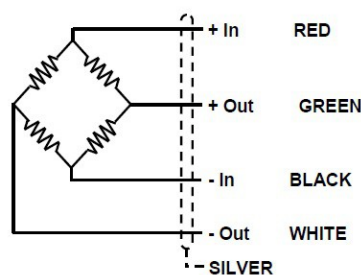
**OPTIONS**  
 Consult for special requirements.



TEFLÓN® protects all the internal cables



Dimensions in mm



# Model: CS

GENERAL TECHNICAL CHARACTERISTICS FOR g= 9,8031 m/ s <sup>2</sup>			
OIML Class	C3	UNITS	
Divisions nLC	3000		
Minimum Dead load Emin	0	kg	
Z= Emax / 2DR	3000		
Y= E max./ Vmin.	10000		
Rated Capacity Emax	<b>750, 1000, 1500</b>	kg	
Rated Sensitivity C	2 ± 10 %	mV/V	
Rated Input Voltage	10	V dc	
Input Voltage Range	5...15	V ac/dc	
Input Resistance RLC	385 ± 20	Ω	
Output Resistance	350 ± 3	Ω	
Zero Balance	± 2 %	Emax	
Insulation Resistance at 50 V DC	> 5000	M?	
Service Overload	> 150	% Emax	
Overload Limit	> 300	% Emax	
Temperature Range : Compensated	- 10 ... 40	°C	
	: Operating	- 30 ... 85	°C
	: Storage	- 30 ... 90	°C
Max. Nonlinearity	0,02	% Emax	
Max. Hysteresis	0,02	% Emax	
Max. No repeatability	0,01	% Emax	
M Max. Creep in 4 hours	0,03	% Emax	
Max. Zero Recovery Test in 1 hour	0,01	% Emax	
Max Temperature effect : On Sensitivity	0,0013	% Emax / °C	
	: On Zero	0,0014	% Emax / °C
Weight	830	g	
Cable Length	5	m	
Environmental Protection	IP67 - DIN 40050		

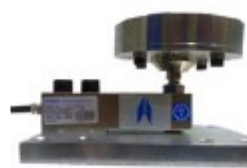
Optional mounting kits:



Ref. kit: 491214



Ref. kit: 491101A



Ref. kit: 491221



Ref. kit: 491107



Ref. kit: 491209



Ref. kit: 491206



Ref. kit: 491223