

Model: CS2T

APPLICATION:
 Multi-cell scales

CAPACITY RANGE:
 750kg - 1000kg - 1500kg

MATERIAL:
 Plated steel

ENVIRONMENTAL PROTECTION:
 IP67

APPROVALS:
 CE 3000 Div - TC6177
 OIML 3000 Div - R60/2000-NL 1-03.02

CHARACTERISTICS

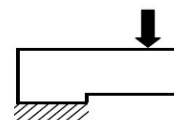
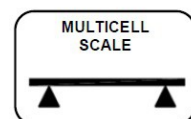
Construction using special steel.
 High quality protection barrier using special silicones.
 Mounting compatibility.

APPLICATIONS

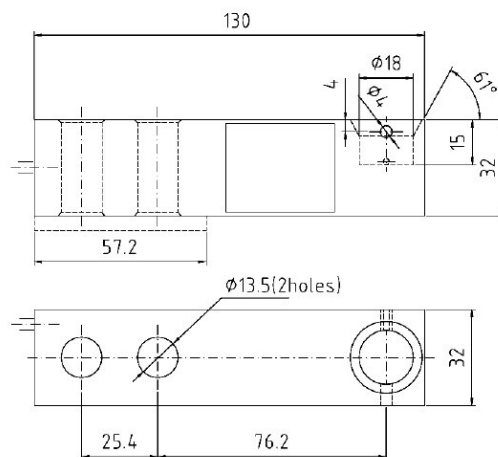
CS2T model is manufactured to maintain its performance capabilities in the environmental conditions existing in industries, where tasks and cleaning demand a good environmental protection.

OPTIONS

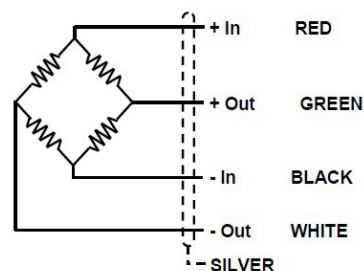
Consult for special requirements.



TEFLÓN® protects all the internal cables



Dimensions in mm



Model: CS2T

GENERAL TECHNICAL CHARACTERISTICS FOR g= 9,8031 m/ s2		
OIML Class	C3	UNITS
Divisions nLC	3000	
Minimum Dead load Emin	0	kg
Z= Emax / 2DR	3000	
Y= E max./ Vmin.	10000	
Rated Capacity Emax	750, 1000, 1500	kg
Rated Sensitivity C	2 ± 10 %	mV/V
Rated Input Voltage	10	V dc
Input Voltage Range	5...15	V ac/dc
Input Resistance RLC	350 ± 3	Ω
Output Resistance	350 ± 3	Ω
Zero Balance	± 2 %	E _{max}
Insulation Resistance at 50 V DC	> 5000	M?
Service Overload	> 150	% E _{max}
Overload Limit	> 300	% E _{max}
Temperature Range : Compensated	- 10 ... 40	°C
	: Operating	- 30 ... 85
	: Storage	- 30 ... 90
Max. Nonlinearity	0,02	% E _{max}
Max. Hysteresis	0,02	% E _{max}
Max. No repeatability	0,01	% E _{max}
M Max. Creep in 4 hours	0,03	% E _{max}
Max. Zero Recovery Test in 1 hour	0,011	% E _{max}
Max Temperature effect : On Sensitivity	0,0013	% E _{max} / °C
	: On Zero	0,0014
Weight	830	g
Cable Length	5	m
Environmental Protection	IP67 - DIN 40050	

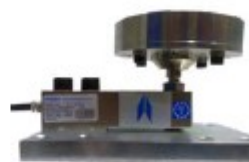
Optional mounting kits:



Ref. kit: 491214



Ref. kit: 491101A



Ref. kit: 491221



Ref. kit: 491107



Ref. kit: 491209



Ref. kit: 491206



Ref. kit: 491223