

Model: CRI



APPLICATION:

Silos, deposits, multi-cell scales & weighbridges

CAPACITY RANGE:

100kg – 300kg - 500kg - 1t - 2,5t - 5t 10t - 20t - 30t

MATERIAL:

Stainless Steel

ENVIRONMENTAL PROTECTION:

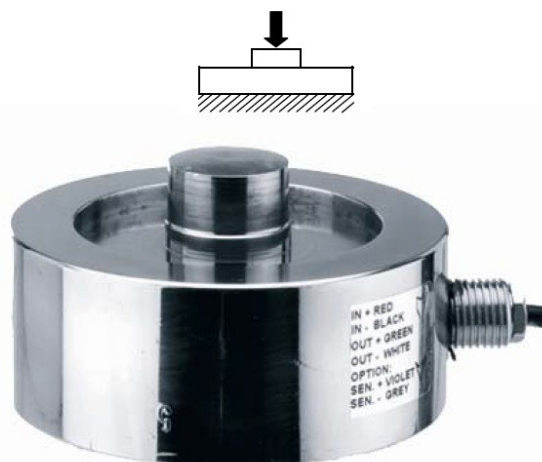
IP68

APPROVALS:

According to OIML - R60

CHARACTERISTICS

Construction using stainless steel. The laser soldered closing protects from the typical environment in food and chemical industry.
 Mounting compatibility.



TEFLÓN® protects all the internal cables

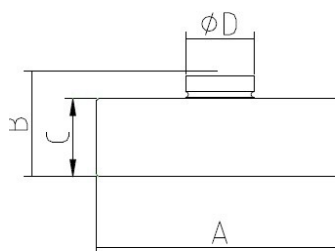
APPLICATIONS

The CRI model is manufactured to maintain its performance capabilities in the environmental conditions existing in industries, where tasks and cleaning demand a good environmental protection.

OPTIONS

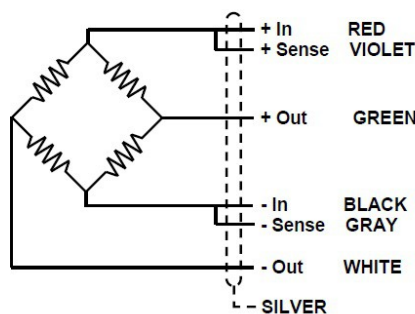
Length of the cable is optional.
 Hostile environmental cable. ATEX option
 EC-Type examination certificate
 CEC 11 ATEX 040 X according directive 94/9/EC
 Ex II 1G EExia IIC T6 (Ta-20÷+40°C)
 TX (Ta-20÷+65°C)
 Ex II 1D tD A20 TX°C (Ta-20÷+40°C)
 TX°C (Ta-20÷+65°C)

For more information look up the EC-type examination, and documentation.
 Consult for special requirements.



| Capacity (t) | ØA | B | C | ØD |
|--------------------|-----|----|----|----|
| 0.5/ 1 /2.5 /5 /10 | 82 | 44 | 32 | 22 |
| 20/30 | 128 | 54 | 40 | 35 |

Dimensions in mm



Model: CRI

| GENERAL TECHNICAL CHARACTERISTICS FOR g= 9,8031 m/ s2 | | |
|---|---|-------------------------|
| OIML Class | C3 | UNITS |
| Divisions nLC | 3000 | |
| Minimum Dead load Emin | 0 | kg |
| Z= Emax / 2DR | 3000 | |
| Y= E max./ Vmin. | 10000 | |
| Rated Capacity Emax | 100,300, 500, 1000, 2500 5000, 10000, 20000, 30000 | kg |
| Rated Sensitivity C | 2 ± 10 % | mV/V |
| Rated Input Voltage | 10 | V dc |
| Input Voltage Range | 5...15 | V ac/dc |
| Input Resistance RLC | 700 ± 20 | Ω |
| Output Resistance | 700 ± 20 | Ω |
| Zero Balance | ± 2 % | E _{max} |
| Insulation Resistance at 50 V DC | > 5000 | M? |
| Service Overload | > 150 | % E _{max} |
| Overload Limit | > 300 | % E _{max} |
| Temperature Range : Compensated | - 10 ... 40 | °C |
| : Operating | - 30 ... 85 | °C |
| : Storage | - 30 ... 90 | °C |
| Max. Nonlinearity | 0,025 | % E _{max} |
| Max. Hysteresis | 0,015 | % E _{max} |
| Max. No repeatability | 0,01 | % E _{max} |
| M Max. Creep in 4 hours | 0,03 | % E _{max} |
| Max. Zero Recovery Test in 1 hour | 0,007 | % E _{max} |
| Max Temperature effect : On Sensitivity | 0,0013 | % E _{max} / °C |
| : On Zero | 0,001 | % E _{max} / °C |
| Weight | 600 – 1300 | g |
| Cable Length | 5(0,1 – 10t) 15(20 – 30t) | m |
| Environmental Protection | IP68 - DIN 40050 (100h 1m) | |

Optional mounting kits:



Ref: 491046
 Ref: 491055 (S. Steel)
 0,5t to 10t



Ref: 491049
 Ref: 491048 (S. Steel)
 20t to 10t



Ref: 491047A
 0,5t to 10t