

# Model: CF

**APPLICATION:**  
 Multi-cell scales

**CAPACITY RANGE:**  
 50kg - 100kg - 150kg - 300kg - 500kg

**MATERIAL:**  
 Plated Steel

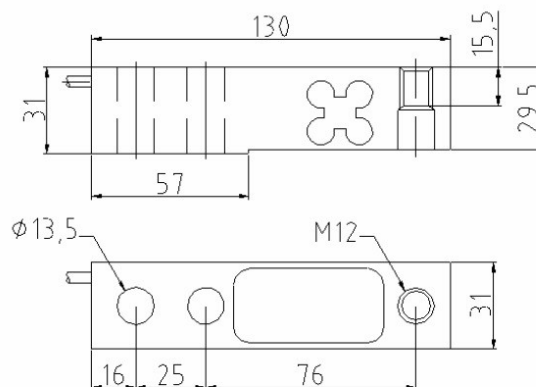
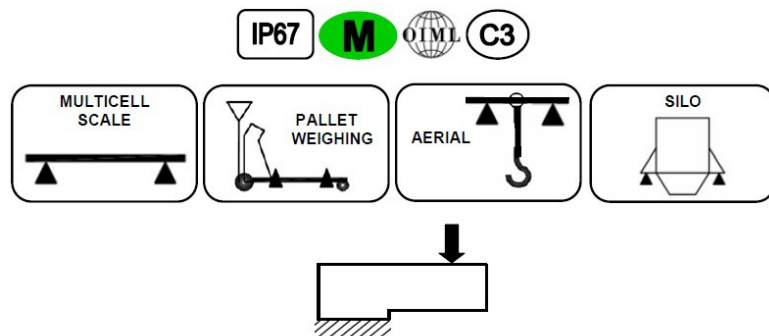
**ENVIRONMENTAL PROTECTION:**  
 IP67

**APPROVALS:**  
 CE 3000 Div - TC6176 OIML 3000 Div - R60/2000-NL 1-03.01

**CHARACTERISTICS**  
 Construction using special steel. High quality protection barrier using special silicones.  
 Mounting compatibility.

**APPLICATIONS**  
 The CF model is manufactured to maintain its performance capabilities in the environmental conditions existing in food industries, where tasks and cleaning demand a good environmental protection. If the required capacities are over 500kg, select the CS model, which is mechanically compatible and reaches a 2000 kg capacity.

**OPTIONS**  
 Length of the cable is optional.  
 Hostile environmental cable.  
 Consult for special requirements.



Dimensiones en mm

