

Model: CFSI-IP67



APPLICATION:
 Multi-cell scales

CAPACITY RANGE:
 50kg - 75kg - 100kg - 150kg 300kg
 500kg

MATERIAL:
 Stainless Steel

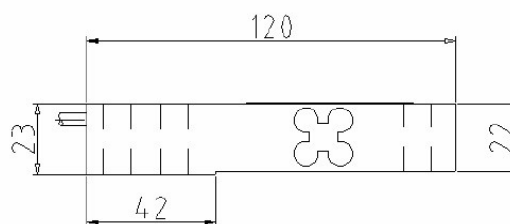
ENVIRONMENTAL PROTECTION:
 IP67



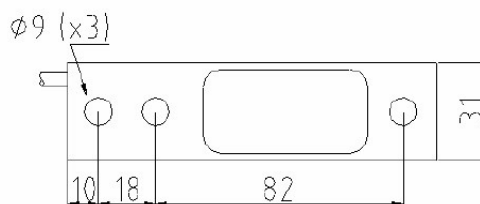
APPROVALS:
 CE 3000 Div
 50 kg - 75 kg : TC6178
 Other Capacities: TC6176
 OIML 3000 Div - R60/2000-NL 1-03.01

TEFLÓN® protects all the internal cables

CHARACTERISTICS
 Construction using stainless steel.
 Barrier protection of high quality with special silicones.
 Mounting compatibility.



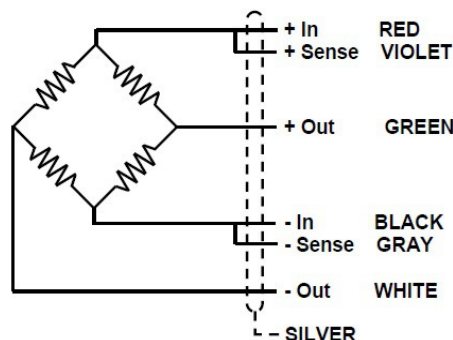
APPLICATIONS
 The CFSI-IP67 model is manufactured to maintain its performance capabilities in the environmental conditions existing in industries, where tasks and cleaning demand a good environmental protection.



Dimensions in mm

If the required capacities are over 500 kg, select the CSCI-IP67 model which is mechanically compatible and reaches the 1500 kg capacity.

OPTIONS
 Length of the cable is optional.
 Hostile environmental cable.
 Consult for special requirements.



Model: CFSI-IP67

GENERAL TECHNICAL CHARACTERISTICS FOR g= 9,8031 m/ s2		
OIML Class	C3	UNITS
Divisions nLC	3000	
Minimum Dead load Emin	0	kg
Z= Emax / 2DR	3000	
Y= E max./ Vmin.	10000	
Rated Capacity Emax	50, 75, 100, 150, 300, 500	kg
Rated Sensitivity C	2 ± 10 %	mV/V
Rated Input Voltage	10	V dc
Input Voltage Range	5...15	V ac/dc
Input Resistance RLC	350 ± 3	Ω
Output Resistance	350 ± 3	Ω
Zero Balance	± 2 %	Emax
Insulation Resistance at 50 V DC	> 5000	M?
Service Overload	> 150	% Emax
Overload Limit	> 300	% Emax
Temperature Range : Compensated	- 10 ... 40	°C
	: Operating	- 30 ... 85
	: Storage	- 30 ... 90
Max. Nonlinearity	0,02	% Emax
Max. Hysteresis	0,02	% Emax
Max. No repeatability	0,01	% Emax
M Max. Creep in 4 hours	0,03	% Emax
Max. Zero Recovery Test in 1 hour	0,011	% Emax
Max Temperature effect : On Sensitivity	0,0013	% Emax / °C
	: On Zero	0,0014
Weight	800	g
Cable Length	5	m
Environmental Protection	IP67 - DIN 40050	

Optional mounting kits:



Ref: 491203



Ref: 491205