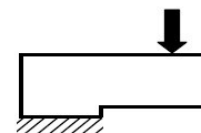
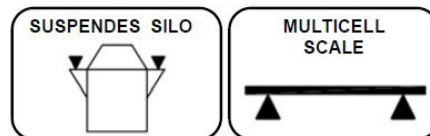


Model: CFLIF



APPLICATION:

Multi cell scales

CAPACITY RANGE:

15kg - 25kg - 50kg - 100kg - 150kg - 200kg

MATERIAL:

Stainless Steel

ENVIRONMENTAL PROTECTION:

IP68

APPROVALS:

According to OIML R60

CHARACTERISTICS

Construction using stainless steel. The laser soldered closing protects from the typical environment in food and chemical industry.

Mounting compatibility.

APPLICATIONS

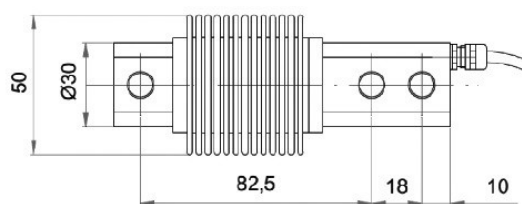
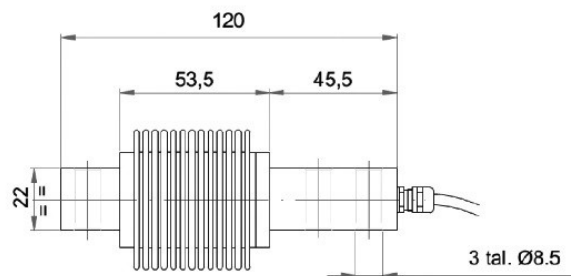
The CFLIF model is manufactured to maintain its performance capabilities in the environmental conditions existing in industries, where tasks and cleaning demand a good environmental protection..

OPTIONS

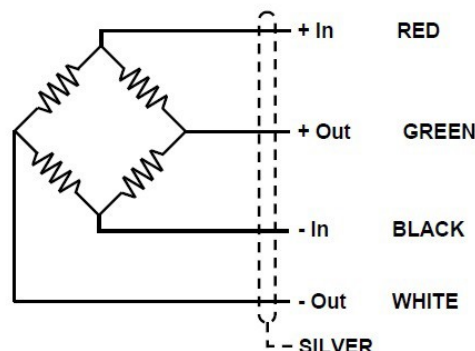
- Length of the cable is optional.
- Hostile environmental cable. ATEX option
- EC-Type examination certificate
- CEC 11 ATEX 040 X according directive 94/9/EC
- Ex II 1G EExia IIC T6 (Ta2-0++40°C)
- TX (Ta-20++65°C)
- Ex II 1D tD A20 TX°C (Ta-20++40°C)
- TX°C (Ta-20++65°C)

For more information look up the EC-type examination, and documentation. Consult for special requirements.

TEFLÓN® protects all the internal cables



Dimensions in mm



Model: CFLIF

GENERAL TECHNICAL CHARACTERISTICS FOR $g = 9,8031 \text{ m/s}^2$		
OIML Class	C3	UNITS
Divisions nLC	3000	
Minimum Dead load Emin	0	kg
Z= Emax / 2DR	3000	
Y= E max./ Vmin.	10000	
Rated Capacity Emax	15, 25, 50, 100, 150, 200	kg
Rated Sensitivity C	$2 \pm 10 \%$	mV/V
Rated Input Voltage	10	V dc
Input Voltage Range	5... 15	V ac/dc
Input Resistance RLC	350 ± 5	Ω
Output Resistance	350 ± 4	Ω
Zero Balance	$\pm 2 \%$	Emax
Insulation Resistance at 50 V DC	> 5000	M?
Service Overload	> 150	% Emax
Overload Limit	> 300	% Emax
Temperature Range : Compensated	- 10 ... 40	$^{\circ}\text{C}$
	: Operating	- 30 ... 85
	: Storage	- 30 ... 90
Max. Nonlinearity	0,02	% Emax
Max. Hysteresis	0,02	% Emax
Max. No repeatability	0,01	% Emax
M Max. Creep in 4 hours	0,03	% Emax
Max. Zero Recovery Test in 1 hour	0,011	% Emax
Max Temperature effect : On Sensitivity	0,0013	% Emax / $^{\circ}\text{C}$
	: On Zero	0,0014
Weight	800	g
Cable Length	5	m
Environmental Protection	IP68 - DIN 40050 (100h 1m)	