

# Model: CFI-IP67

**APPLICATION:**  
 Multi-cell scales

**CAPACITY RANGE:**  
 50kg - 100kg - 150kg - 300kg - 500kg

**MATERIAL:**  
 Stainless Steel

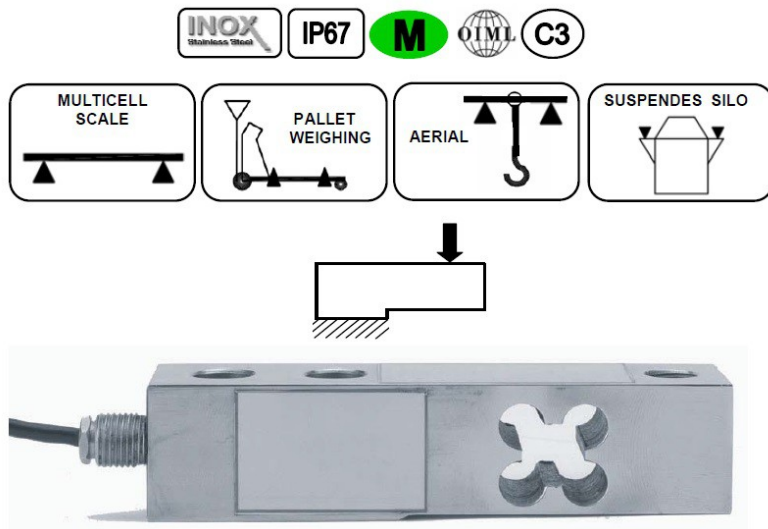
**ENVIRONMENTAL PROTECTION:**  
 IP67

**APPROVALS:**  
 CE 3000 Div - TC6176  
 OIML 3000 Div - R60/2000-NL 1-03.01

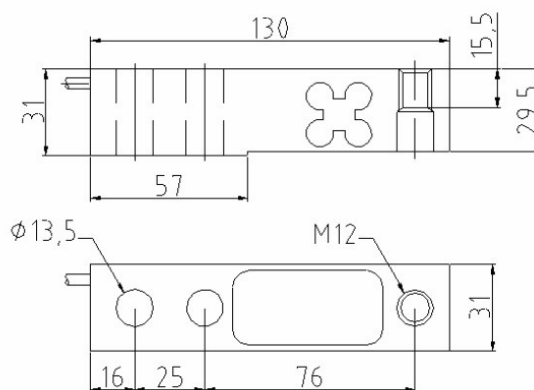
**CHARACTERISTICS**  
 Construction using stainless steel.  
 High quality protection barrier using special silicones.  
 Mounting compatibility.

**APPLICATIONS**  
 The CFI-IP67 model is manufactured to maintain its performance capabilities in the environmental conditions existing in food industries, where tasks and cleaning demand a good environmental protection.  
 If the required capacities are over 500kg, select the CSI-IP67 model, which is mechanically compatible and reaches a 2000 kg capacity.

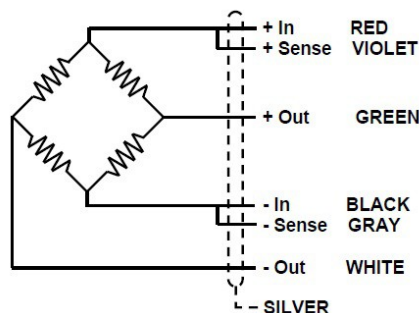
**OPTIONS**  
 Length of the cable is optional.  
 Consult for special requirements.



TEFLÓN® protects all the internal cables



Dimensions in mm



# Model: CFI-IP67

| GENERAL TECHNICAL CHARACTERISTICS FOR g= 9,8031 m/ s2 |                               |             |
|---|-------------------------------|-------------|
| OIML Class  | C3                            | UNITS       |
| Divisions nLC   | 3000                          |             |
| Minimum Dead load Emin                                | 0                             | kg          |
| Z= Emax / 2DR   | 3000                          |             |
| Y= E max./ Vmin.                                      | 10000                         |             |
| Rated Capacity Emax                                   | <b>50, 100, 150, 300, 500</b> | kg          |
| Rated Sensitivity C                                   | 2 ± 10 %                      | mV/V        |
| Rated Input Voltage                                   | 10                            | V dc        |
| Input Voltage Range                                   | 5... 15                       | V ac/dc     |
| Input Resistance RLC                                  | 350 ± 3                       | Ω           |
| Output Resistance                                     | 350 ± 3                       | Ω           |
| Zero Balance  | ± 2 %                         | Emax        |
| Insulation Resistance at 50 V DC                      | > 5000                        | M?          |
| Service Overload                                      | > 150                         | % Emax      |
| Overload Limit  | > 300                         | % Emax      |
| Temperature Range : Compensated                       | - 10 ... 40                   | °C          |
| : Operating   | - 30 ... 85                   | °C          |
| : Storage   | - 30 ... 90                   | °C          |
| Max. Nonlinearity                                     | 0,02                          | % Emax      |
| Max. Hysteresis                                       | 0,02                          | % Emax      |
| Max. No repeatability                                 | 0,01                          | % Emax      |
| M Max. Creep in 4 hours                               | 0,02                          | % Emax      |
| Max. Zero Recovery Test in 1 hour                     | 0,03                          | % Emax      |
| Max Temperature effect : On Sensitivity               | 0,0013                        | % Emax / °C |
| : On Zero   | 0,0014                        | % Emax / °C |
| Weight  | 800                           | g           |
| Cable Length  | 50, 100, 150, 300, 500        | m           |
| Environmental Protection                              | IP67 - DIN 40050              |             |

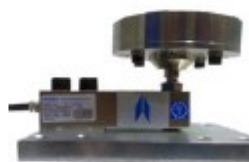
Optional mounting kits:



Ref. kit: 491216



Ref. kit: 491100A



Ref. kit: 491220



Ref. kit: 491106



Ref. kit: 491209



Ref. kit: 491206



Ref. kit: 491222