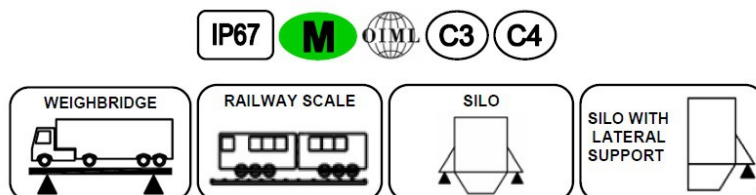


Model: CBP



APPLICATION:
 Weighbridge and silos

CAPACITY RANGE:
 20t - 36t - 50t

MATERIAL:
 Plated Steel

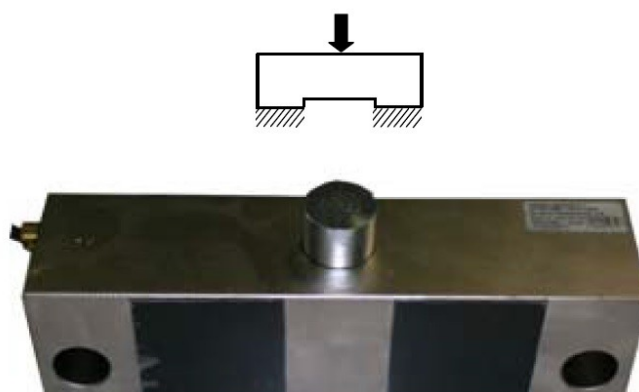
ENVIRONMENTAL PROTECTION:
 IP67

APPROVALS:
 CE 3000 & 4000 Div - E.03.02.C09
 According to OIML - R60

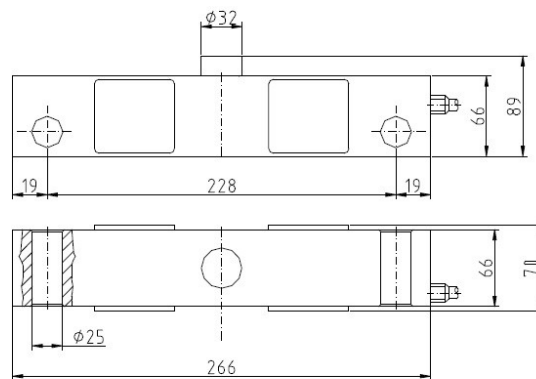
CHARACTERISTICS
 Construction using special steel. High quality protection barrier using special silicones.
 Mounting compatibility.

APPLICATIONS
 The CBP model belongs to the double shear beam type with an excellent linearity and supports the intensive traffic trucks. It's protected from the environmental conditions existing in industries, where tasks and cleaning demand.

OPTIONS
 Length of the cable is optional.
 Consult for special requirements.



TEFLÓN® protects all the internal cables



Dimensions in mm

