

Model: CBCI



APPLICATION:

Weighbridges and silos

CAPACITY RANGE:

10t – 15t – 20t - 25t - 30t

MATERIAL:

Stainless Steel

ENVIRONMENTAL PROTECTION:

IP68

APPROVALS:

CE 3000 & 4000 Div - E.03.02.C09

According to OIML - R60

CHARACTERISTICS

Construction using stainless steel. The laser soldered closing protects from the typical environment in food and chemical industry.

Mounting compatibility.

APPLICATIONS

The CBCI model belongs to the double shear beam type. has excellent linearity and supports the intensive traffic of trucks. It's protected from the environmental conditions existing in industries, where tasks and cleaning demand.

OPTIONS

length of the cable is optional.

Hostile environmental cable. ATEX option

EC-Type examination certificate

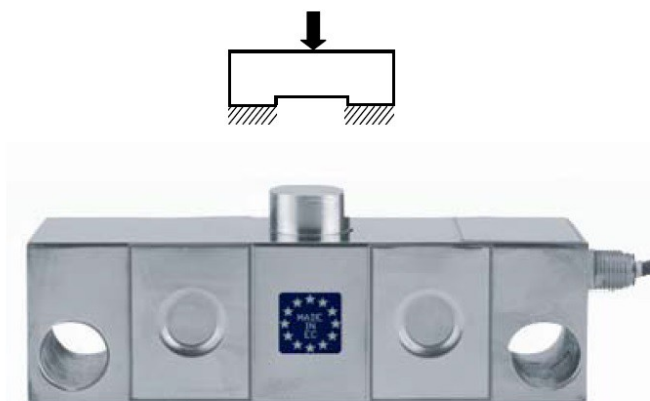
CEC 11 ATEX 040 X according directive 94/9/EC

- Ex II 1G EExia IIC T6 (Ta2-0÷+40°C)
TX (Ta-20÷+65°C)
- Ex II 1D tD A20 TX°C (Ta-20÷+40°C)
TX°C (Ta-20÷+65°C)

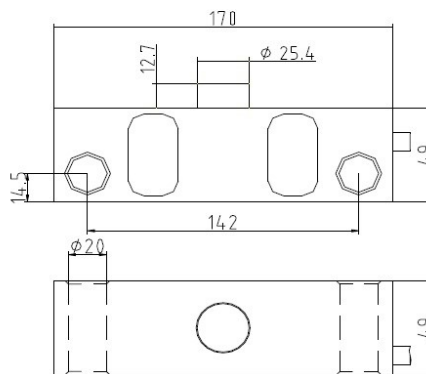
For more information look up the EC-type examination

For more information look up the EC- type examination certificate, and documentation.

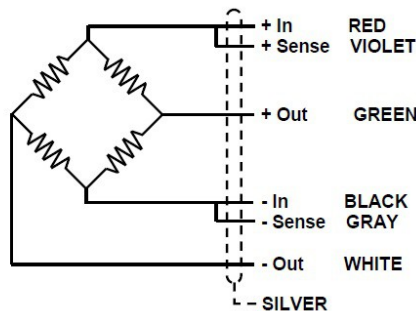
Consult for special requirements.



TEFLÓN® protects all the internal cables



Dimensions in mm



Model: CBCI

GENERAL TECHNICAL CHARACTERISTICS FOR g= 9,8031 m/ s2		
OIML Class	C3 – C4	UNITS
Divisions nLC	3000 – 4000	
Minimum Dead load Emin	0	kg
Z= Emax / 2DR	3000 – 4000	
Y= E max./ Vmin.	10000	
Rated Capacity Emax	10000 - 15000 – 20000 – 25000 – 30000	kg
Rated Sensitivity C	2 ± 10 %	mV/V
Rated Input Voltage	10	V dc
Input Voltage Range	5...15	V ac/dc
Input Resistance RLC	700 ± 20	Ω
Output Resistance	700 ± 20	Ω
Zero Balance	± 2 %	E _{max}
Insulation Resistance at 50 V DC	> 5000	M?
Service Overload	> 150	% E _{max}
Overload Limit	> 300	% E _{max}
Temperature Range : Compensated	- 10 ... 40	°C
: Operating	- 30 ... 85	°C
: Storage	- 30 ... 90	°C
Max. Nonlinearity	0,015	% E _{max}
Max. Hysteresis	0,015	% E _{max}
Max. No repeatability	0,01	% E _{max}
M Max. Creep in 4 hours	0,02	% E _{max}
Max. Zero Recovery Test in 1 hour	0,007	% E _{max}
Max Temperature effect : On Sensitivity	0,00097	% E _{max} / °C
: On Zero	0,00116	% E _{max} / °C
Weight	3320	g
Cable Length	15	m
Environmental Protection	IP68 - DIN 40050	

Optional mounting kits:

