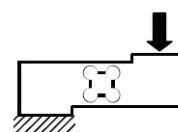


Model: BLM



APPLICATION:

Single point scales and weighing systems whose platform is up to 360mm x 360mm

CAPACITY RANGE:

5kg - 15kg - 20kg - 30kg - 50kg

MATERIAL:

Plated Steel

ENVIRONMENTAL PROTECTION:

IP65

APPROVALS:

According to OIML - R60

CHARACTERISTICS

Construction using special steel, only 61mm high. High quality protection barrier using special silicones. Mounting compatibility.

APPLICATIONS

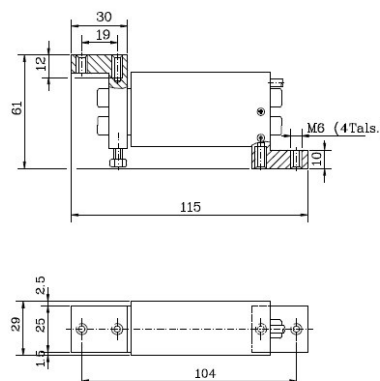
The BLM model is specially designed for platforms of 360mm x 360mm with very low profile and is protected from environmental conditions that appear in the industry. The BLM cell allows mounting hardware for desktop or hanging scales, always mono-cell up to 360mm x 360mm.

OPTIONS

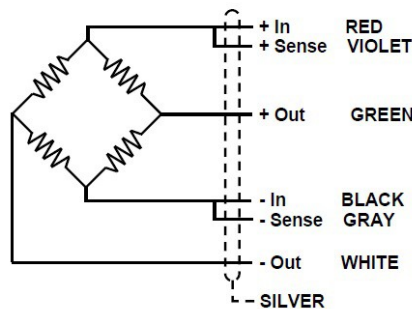
Sensitivity alignment: 0,1%.
 Length of the cable is optional.
 Consult for special requirements.



TEFLÓN® protects all the internal cables



Dimensions in mm



Model: **BLM**

GENERAL TECHNICAL CHARACTERISTICS FOR g= 9,8031 m/ s2		
OIML Class	C3	UNITS
Divisions nLC	3000	
Minimum Dead load Emin	0	kg
Z= Emax / 2DR	3000	
Y= E max./ Vmin.	10000	
Rated Capacity Emax	5, 15, 20, 30, 50	kg
Rated Sensitivity C	2 ± 10 %	mV/V
Rated Input Voltage	10	V dc
Input Voltage Range	5...15	V ac/dc
Input Resistance RLC	382 ± 10	Ω
Output Resistance	350 ± 3	Ω
Zero Balance	± 2 %	Emax
Insulation Resistance at 50 V DC	> 5000	M?
Service Overload	> 150	% Emax
Overload Limit	> 300	% Emax
Temperature Range : Compensated	- 10 ... 40	°C
: Operating	- 30 ... 85	°C
: Storage	- 30 ... 90	°C
Max. Nonlinearity	0,02	% Emax
Max. Hysteresis	0,02	% Emax
Max. No repeatability	0,01	% Emax
M Max. Creep in 4 hours	0,03	% Emax
Max. Zero Recovery Test in 1 hour	0,011	% Emax
Max Temperature effect : On Sensitivity	0,0013	% Emax / °C
: On Zero	0,0014	% Emax / °C
Weight	325	g
Cable Length	0,9	m
Environmental Protection	IP66 - DIN 40050	