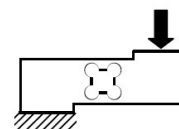
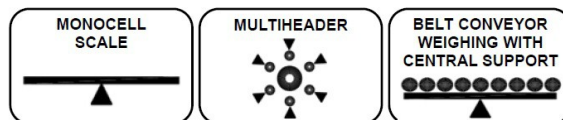


Model: AM



APPLICATION:

Single point scales whose platform is

OPTIONS

Consult for special requirements.

APPLICATIONS

The AM model is specially designed for platforms up to 400mm x 400mm with very low profile and is protected from environmental conditions that occur in industry and commercial premises.

CHARACTERISTICS

Construct in special aluminium, only 22mm high. High quality protection with special silicones. Overload top to 0,3mm. 6Nm torque with M6-8,8 screw.

Mounting compatibility.

up to 400mm x 400mm.

CAPACITY RANGE:

3kg - 6kg - 10kg - 20kg - 30kg - 60kg

MATERIAL:

Aluminium

ENVIRONMENTAL PROTECTION:

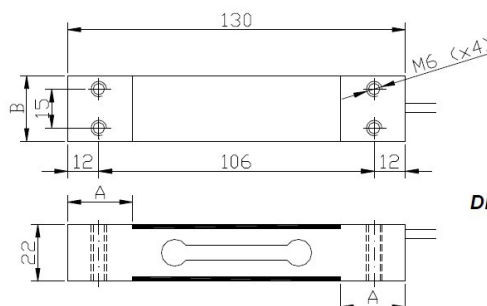
IP66

APPROVALS:

60kg CE- 3000Div - E-09.02.C02

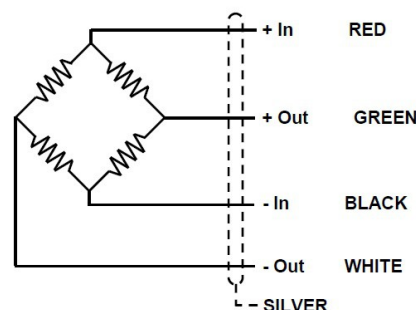
According to OIML - R60

All the internal cables are protects



Dimensions in mm

Capacity	A	B
3 a 30kg	25	25.4
60kg	30	38.5



Model: **AM**

GENERAL TECHNICAL CHARACTERISTICS FOR g= 9,8031 m/ s2			
OIML Class	C3	UNITS	
Divisions nLC	3000		
Minimum Dead load Emin	0	kg	
Z= Emax / 2DR	3000		
Y= E max./ Vmin.	7500		
Rated Capacity Emax	3,6,10,20,60	kg	
Rated Sensitivity C	2 ± 10 %	mV/V	
Rated Input Voltage	10	V dc	
Input Voltage Range	5...15	V ac/dc	
Input Resistance RLC	410 ± 10	Ω	
Output Resistance	350 ± 10	Ω	
Zero Balance	± 2 %	Emax	
Insulation Resistance at 50 V DC	> 5000	M?	
Service Overload	> 150	% Emax	
Overload Limit	> 300	% Emax	
Temperature Range : Compensated	- 10 ... 40	°C	
	: Operating	- 30 ... 85	°C
	: Storage	- 30 ... 90	°C
Max. Nonlinearity	0,017	% Emax	
Max. Hysteresis	0,017	% Emax	
Max. No repeatability	0,017	% Emax	
M Max. Creep in 4 hours	0,03	% Emax	
Max. Zero Recovery Test in 1 hour	0,011	% Emax	
Max Temperature effect : On Sensitivity	0,012	% Emax / °C	
	: On Zero	0,0014	% Emax / °C
Weight	300	g	
Cable Length	0,5	m	
Environmental Protection	IP66 - DIN 40050		