

Model: AM26

APPLICATION:

Single point scales whose platform is up to 600mm x 700mm and bagging

CAPACITY RANGE:

300kg

MATERIAL:

Aluminium

ENVIRONMENTAL PROTECTION:

IP66

APPROVALS:

According to OIML - R60

CHARACTERISTICS

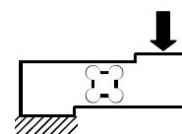
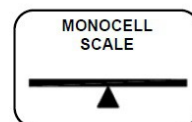
Special aluminium construction, only 47mm high. High quality protection with special silicones. Overload top to 0,3mm. 42Nm torque with M8-12,9 screw.

APPLICATIONS

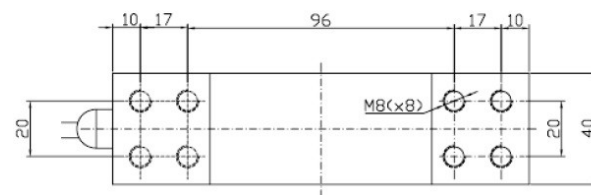
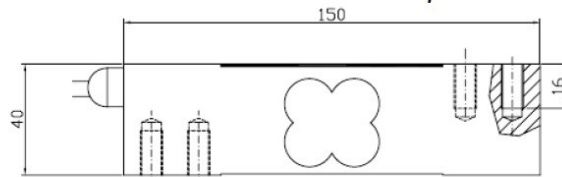
The AM26 model is specially designed for platforms up to 600mm x 700mm with very low profile and is protected from environmental conditions that occur in industry and commercial premises.

OPTIONS

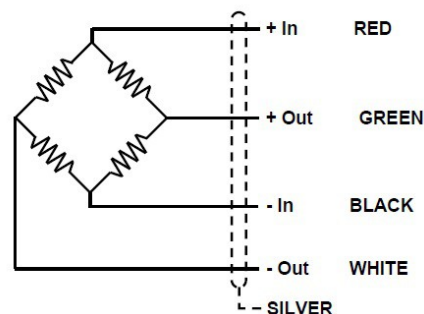
Consult for special requirements.



All the internal cables are protects



Dimensions in mm



Model: AM26

GENERAL TECHNICAL CHARACTERISTICS FOR $g = 9,8031 \text{ m/s}^2$		
OIML Class	C3	UNITS
Divisions nLC	3000	
Minimum Dead load Emin	0	kg
Z= Emax / 2DR	3000	
Y= E max./ Vmin.	7500	
Rated Capacity Emax	300	kg
Rated Sensitivity C	$2 \pm 10 \%$	mV/V
Rated Input Voltage	10	V dc
Input Voltage Range	5...15	V ac/dc
Input Resistance RLC	410 ± 10	Ω
Output Resistance	350 ± 3	Ω
Zero Balance	$\pm 2 \%$	E _{max}
Insulation Resistance at 50 V DC	> 5000	M?
Service Overload	> 150	% E _{max}
Overload Limit	> 300	% E _{max}
Temperature Range : Compensated	- 10 ... 40	°C
: Operating	- 30 ... 85	°C
: Storage	- 30 ... 90	°C
Max. Nonlinearity	0,02	% E _{max}
Max. Hysteresis	0,02	% E _{max}
Max. No repeatability	0,01	% E _{max}
M Max. Creep in 4 hours	0,03	% E _{max}
Max. Zero Recovery Test in 1 hour	0,011	% E _{max}
Max Temperature effect : On Sensitivity	0,0013	% E _{max} / °C
: On Zero	0,0014	% E _{max} / °C
Weight	600	g
Cable Length	0,9	m
Environmental Protection	IP66 - DIN 40050	