

Model: AM25

APPLICATION:

Single point scales whose platform is up to 600mm x 700mm and bagging

CAPACITY RANGE:

250kg

MATERIAL:

Aluminium

ENVIRONMENTAL PROTECTION:

IP66

APPROVALS:

According to OIML - R60

CHARACTERISTICS

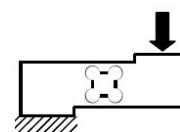
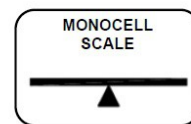
Special aluminium construction, only 47mm high. High quality protection with special silicones. Overload top to 0,3mm. 42Nm torque with M8-12,9 screw.

APPLICATIONS

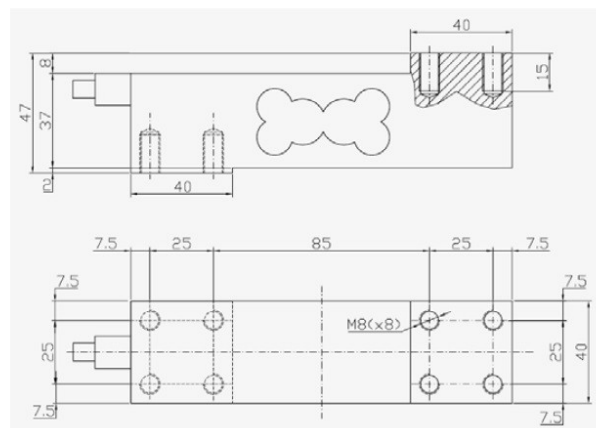
The AM25 model is specially designed for platforms up to 600mm x 700mm with very low profile and is protected from environmental conditions that occur in industry and commercial premises.

OPTIONS

Consult for special requirements.



All the internal cables are protects



Dimensions in mm

