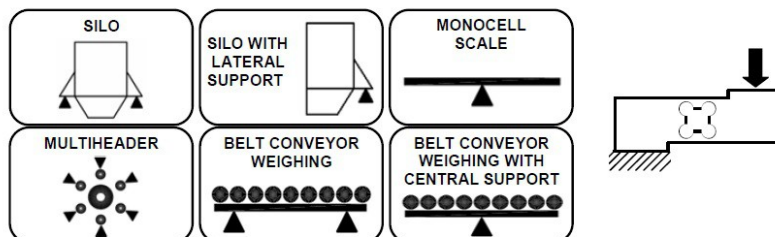


# Model: AM1

IP66 M OIML C3



### APPLICATION:

Single point scales whose platform is up to 400mm x 450mm

### CAPACITY RANGE:

10kg - 20kg - 50kg - 100kg - 200kg

### MATERIAL:

Aluminium

### ENVIRONMENTAL PROTECTION:

IP66

### APPROVALS:

From 50kg & 200kg  
 CE- 3000Div - E-09.02.C02  
 According to OIML - R60

### CHARACTERISTICS

Construction in special aluminium, only 40mm high.  
 High quality protection with special silicones. Overload top to 0,3mm. 10Nm torque with M6-10,9 screw.  
 Mounting compatibility.

### APPLICATIONS

The AM1 model is specially designed for platforms up to 400mm x 450mm with very low profile and is protected from environmental conditions that occur in industry and commercial premises.

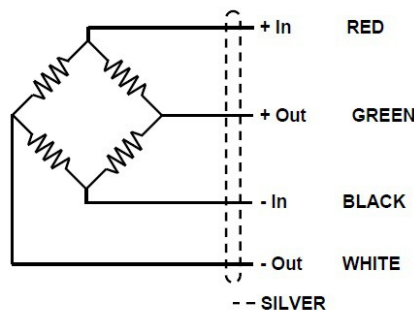
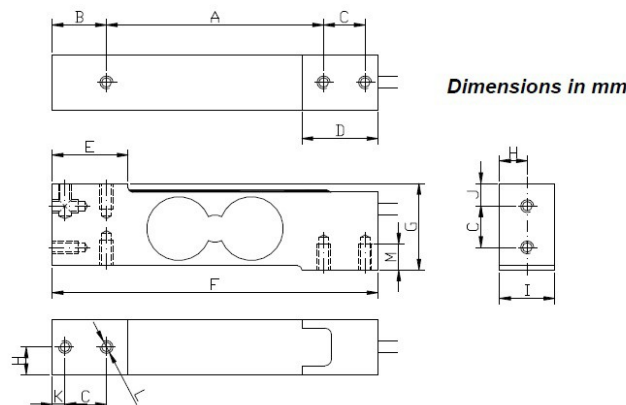
### OPTIONS

Consult for special requirements.



All the internal cables are protects

	A	B	C	D	E	F	G	H	I	J	K	L	M
mm	100	25	19,1	35	35	150	40	12,7	25,4	10,45	5,9	M6(X7)	13



wagibydgoszcz.pl

codeid.pl

CodeID Nip: 9671099846

ul. Białogardzka 18/9, 85-808 Bydgoszcz

fax: 52 520 51 25, tel: 668027711

[codeid.bydgoszcz@gmail.com](mailto:codeid.bydgoszcz@gmail.com)

Bank inteligo:50 1020 5558 1111 1758 0550 0055



## Model: **AM1**

GENERAL TECHNICAL CHARACTERISTICS FOR $g = 9,8031 \text{ m/s}^2$		
OIML Class	C3	UNITS
Divisions nLC	3000	
Minimum Dead load Emin	0	kg
Z= Emax / 2DR	3000	
Y= E max./ Vmin.	7500	
Rated Capacity Emax	10, 20, 50, 100, 200	g
Rated Sensitivity C	$2 \pm 10 \%$	mV/V
Rated Input Voltage	10	V dc
Input Voltage Range	5...15	V ac/dc
Input Resistance RLC	$410 \pm 10$	$\Omega$
Output Resistance	$350 \pm 7$	$\Omega$
Zero Balance	$\pm 2 \%$	Emax
Insulation Resistance at 50 V DC	> 5000	M?
Service Overload	> 150	% Emax
Overload Limit	> 300	% Emax
Temperature Range : Compensated	- 10 ... 40	$^{\circ}\text{C}$
: Operating	- 30 ... 85	$^{\circ}\text{C}$
: Storage	- 30 ... 90	$^{\circ}\text{C}$
Max. Nonlinearity	0,017	% Emax
Max. Hysteresis	0,017	% Emax
Max. No repeatability	0,017	% Emax
M Max. Creep in 4 hours	0,03	% Emax
Max. Zero Recovery Test in 1 hour	0,011	% Emax
Max Temperature effect : On Sensitivity	0,012	% Emax / $^{\circ}\text{C}$
: On Zero	0,0014	% Emax / $^{\circ}\text{C}$
Weight	420	g
Cable Length	2	m
Environmental Protection	IP66 - DIN 40050	

[Http://www.codeid.pl/ascellsensor](http://www.codeid.pl/ascellsensor)